

Bar Refrigeration

# TBR60-RISZ1-L-S-GG-2

 Bar Refrigerator, Stainless Steel Ext, 2 Glass Swing Doors



Dimensions	
External Width (mm)	1524
External Depth (mm)	631
External Height (mm)	881
Exclusions	Depth does not include 35 mm for door handle. Height does not include 7 mm for leg levelers.
Gross Volume (Litres)	550
Supplied Shelves	6
Shelf Size (L x D mm)	551 x 458
Internal Net Height (mm)	730
Unpackaged Weight (kg)	169
Packaged Weight (kg)	180
Packaged Dimensions (W x D x H mm)	1690 x 724 x 1067
Supplied with	Levelling Screws. Optional castors sold seperately.

Build	
Door Description	2 Full Glass Swing Doors
Exterior Construction	Stainless Steel front and countertop. Matching Aluminium sides & rear.
Interior Construction	Stainless Steel
Air Intake Position	Front
Ventilation Position	Front
Clearance Required	Zero back and sides
Cord Length (Meters)	3.04
Internal Lighting	TruLumina®
Standard w/ Locks	Standard

Technical	
Temperature Range	0.5 : 3.3°C
Refrigerant	R290
Voltage/Frequency/Phase	220-240V/50-60Hz/1
Amps	1.3
Watts	299
Defrost Type	Auto



Specifications subject to change without notice.  
Chart dimensions rounded up to the next whole millimeter (inches rounded up to the 1/8")

UK & Ireland  
EMEA  
Australia

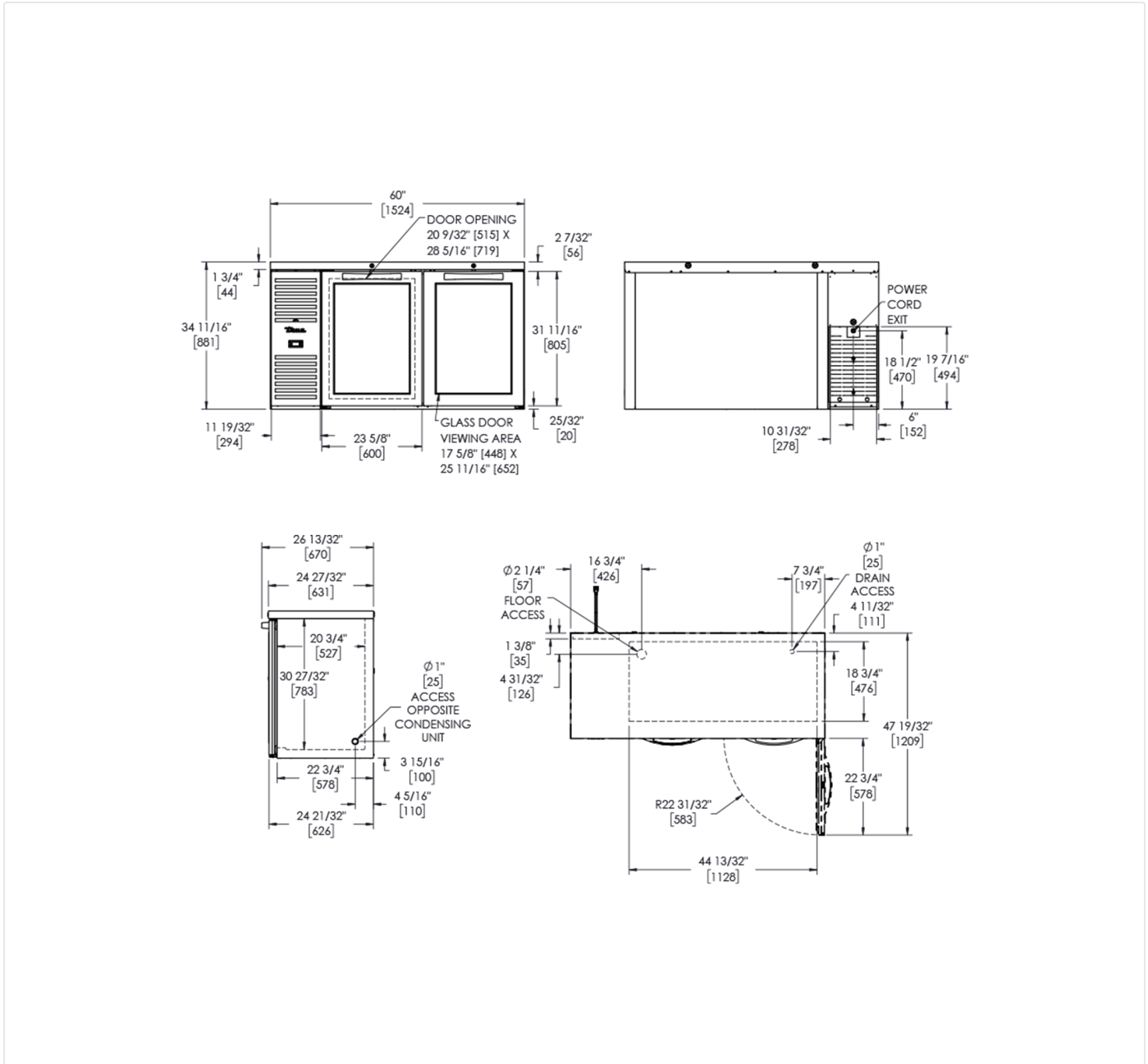
0800 783 2049  
[+41 61 563 07 05](tel:+61615630705)  
[+61 2 9619 9999](tel:+61296199999)

[TFIUK@truemfg.com](mailto:TFIUK@truemfg.com)  
[TrueCHCustomerService@truemfg.com](mailto:TrueCHCustomerService@truemfg.com)  
[TrueRefAus@truemfg.com](mailto:TrueRefAus@truemfg.com)



# TBR60-RISZ1-L-S-GG-2

Bar Refrigerator, Stainless Steel Ext, 2 Glass Swing Doors



Specifications subject to change without notice.  
 Chart dimensions rounded up to the next whole millimeter (inches rounded up to the 1/8")

UK & Ireland  
 EMEA  
 Australia

0800 783 2049  
 +41 61 563 07 05  
 +61 2 9619 9999

TFIUK@truemfg.com  
 TrueCHCustomerService@truemfg.com  
 TrueRefAus@truemfg.com

