

Bar Refrigeration

# TBR60-RISZ1-L-B-11-2

 Bar Refrigerator, Black Ext, 2 Glass Slide Doors



Dimensions	
External Width (mm)	1524
External Depth (mm)	631
External Height (mm)	881
Exclusions	Depth does not include 16 mm for door handle. Height does not include 7 mm for leg levelers.
Gross Volume (Litres)	550
Supplied Shelves	6
Shelf Size (L x D mm)	540 x 458
Internal Net Height (mm)	730
Unpackaged Weight (kg)	164
Packaged Weight (kg)	175
Packaged Dimensions (W x D x H mm)	1690 x 724 x 1067
Supplied with	Levelling Screws. Optional castors sold seperately.

Build	
Door Description	2 Full Glass Slide Doors
Exterior Construction	Black powder coated steel front. Matching black coated Aluminium sides & rear. Stainless steel countertop.
Interior Construction	Stainless Steel
Air Intake Position	Front
Ventilation Position	Front
Clearance Required	Zero back and sides
Cord Length (Meters)	3.04
Internal Lighting	TruLumina®
Standard w/ Locks	Not Standard. Options available.

Technical	
Temperature Range	0.5 : 3.3°C
Refrigerant	R290
Voltage/Frequency/Phase	220-240V/50-60Hz/1
Amps	1.3
Watts	299
Defrost Type	Auto



Specifications subject to change without notice.  
Chart dimensions rounded up to the next whole millimeter (inches rounded up to the 1/8")

UK & Ireland  
EMEA  
Australia

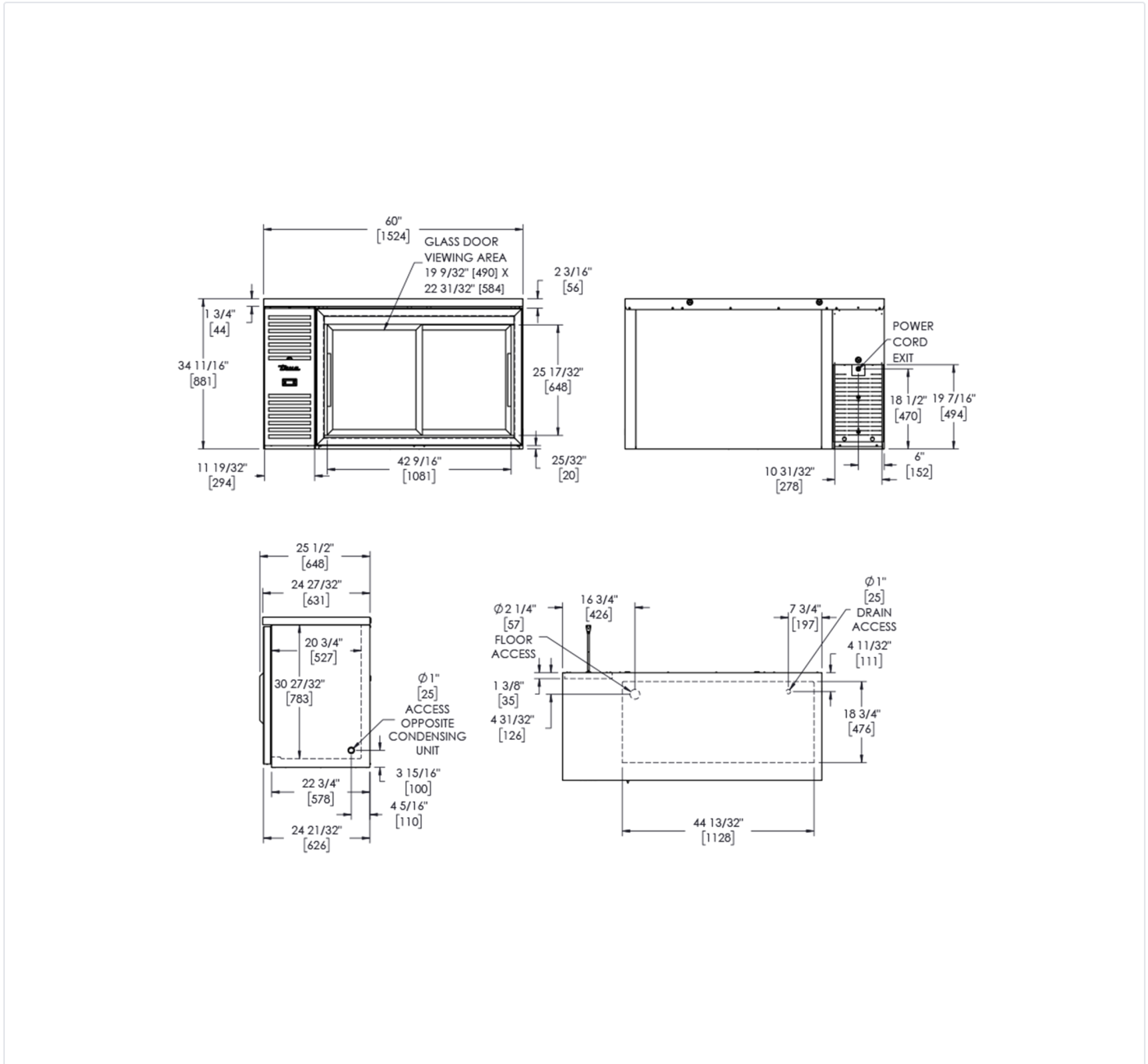
0800 783 2049  
[+41 61 563 07 05](tel:+41615630705)  
[+61 2 9619 9999](tel:+61296199999)

[TFIUK@truemfg.com](mailto:TFIUK@truemfg.com)  
[TrueCHCustomerService@truemfg.com](mailto:TrueCHCustomerService@truemfg.com)  
[TrueRefAus@truemfg.com](mailto:TrueRefAus@truemfg.com)



# TBR60-RISZ1-L-B-11-2

Bar Refrigerator, Black Ext, 2 Glass Slide Doors



Specifications subject to change without notice.  
Chart dimensions rounded to the next whole millimeter (inches rounded up to the 1/8")

UK & Ireland  
EMEA  
Australia

0800 783 2049  
+41 61 563 07 05  
+61 2 9619 9999

TFIUK@truemfg.com  
TrueCHCustomerService@truemfg.com  
TrueRefAus@truemfg.com

