


Bar Refrigeration

TBR60-PTSZ1-L-S-GG-GG-2

 "Pass-Thru" Bar Refrigerator, Stainless Steel Ext, 2 Glass Swing Doors Front, 2 Glass Swing Doors Rear



| Dimensions | |
|------------------------------------|--|
| External Width (mm) | 1524 |
| External Depth (mm) | 631 |
| External Height (mm) | 881 |
| Exclusions | Depth does not include 35 mm for front + 35 mm for back door handles. Height does not include 7 mm for leg levelers. |
| Gross Volume (Litres) | 550 |
| Supplied Shelves | 6 |
| Shelf Size (L x D mm) | 551 x 458 |
| Internal Net Height (mm) | 730 |
| Unpackaged Weight (kg) | 174 |
| Packaged Weight (kg) | 185 |
| Packaged Dimensions (W x D x H mm) | 1690 x 801 x 1067 |
| Supplied with | Levelling Screws. Optional castors sold separately. |

| Build | |
|-----------------------|--|
| Door Description | 2 Full Glass Swing Doors |
| Exterior Construction | Stainless Steel front and countertop. Matching Aluminium sides & rear. |
| Interior Construction | Stainless Steel |
| Air Intake Position | Front |
| Ventilation Position | Front |
| Clearance Required | Zero back and sides |
| Cord Length (Meters) | 3.04 |
| Internal Lighting | TruLumina® |
| Standard w/ Locks | Standard |

| Technical | |
|-------------------------|--------------------|
| Temperature Range | 0.5 : 3.3°C |
| Refrigerant | R290 |
| Voltage/Frequency/Phase | 220-240V/50-60Hz/1 |
| Amps | 1.3 |
| Watts | 299 |
| Defrost Type | Auto |



Specifications subject to change without notice.
Chart dimensions rounded up to the next whole millimeter (inches rounded up to the 1/8")

UK & Ireland
EMEA
Australia

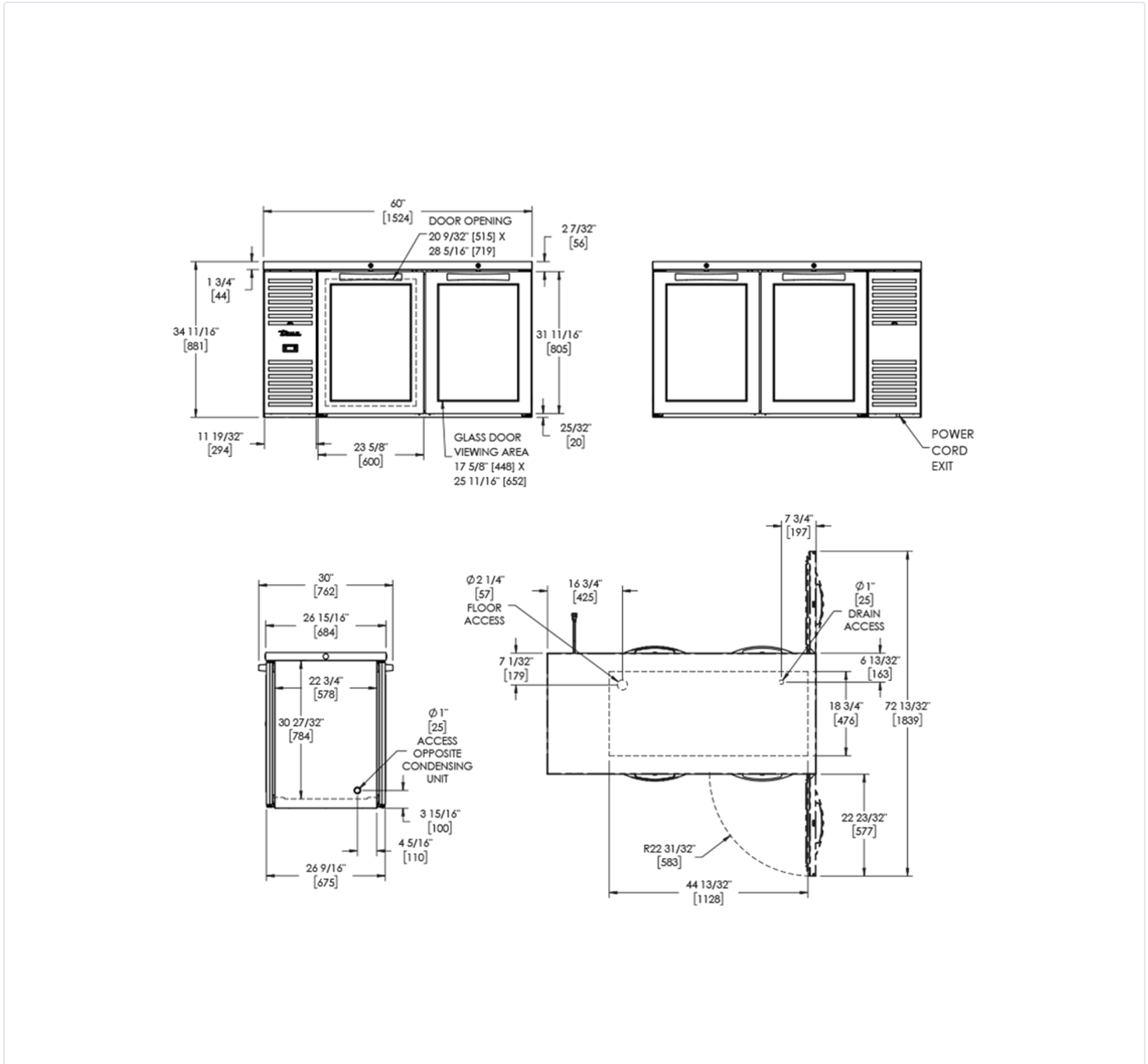
0800 783 2049
[+41 61 563 07 05](tel:+61615630705)
[+61 2 9619 9999](tel:+61296199999)

TFIUK@truemfg.com
TrueCHCustomerService@truemfg.com
TrueRefAus@truemfg.com



TBR60-PTSZ1-L-S-GG-GG-2

"Pass-Thru" Bar Refrigerator, Stainless Steel Ext, 2 Glass Swing Doors Front, 2 Glass Swing Doors Rear



Specifications subject to change without notice.
Chart dimensions rounded up to the next whole millimeter (inches rounded up to the 1/8")

UK & Ireland
EMEA
Australia

0800 783 2049
+41 61 563 07 05
+61 2 9619 9999

TFIUK@truemfg.com
TrueCHCustomerService@truemfg.com
TrueRefAus@truemfg.com

