

Air Curtain Display

# TAC-27K-HC-LD

 Upright Open Multideck Refrigerator



Dimensions	
External Width (mm)	686
External Depth (mm)	740
External Height (mm)	1915
Net Volume (Litres)	322
Gross Volume (Litres)	566
Display Area (m <sup>2</sup> )	0.59
Supplied Shelves	4
Shelf Size (L x D mm)	583 x 426
Internal Net Height (mm)	1100
Unpackaged Weight (kg)	141
Packaged Weight (kg)	152
Packaged Dimensions (W x D x H mm)	915 x 889 x 2159
Supplied with	Built-in 32 mm castors

Build	
Exterior Construction	Aluminium
Interior Construction	Clear coated aluminium, stainless steel base
Air Intake Position	Front
Ventilation Position	Rear
Clearance Required	102 mm rear, 305 mm above
Cord Length (Meters)	3.05
Internal Lighting	LED

Technical	
Temperature Range	0.5 : 3.3°C
Refrigerant	R290
Voltage/Frequency/Phase	220-240V/50Hz/1
Amps	4.4
Watts	1012
Temperature Class	M2
Operating Statement	Tested at 25°C, 60% RH, per 'Refrigerators with a Direct Sales Function' for perishable food merchandising.
Test Standard	EN 23953
EEC	D
Energy Efficiency Index	48.7
Defrost Type	Auto
Energy Consumption (kWh/24h)	7.74
Energy Consumption (kWh/Annum)	2826



Specifications subject to change without notice.  
Chart dimensions rounded up to the next whole millimeter (inches rounded up to the 1/8")

UK & Ireland  
EMEA  
Australia

0800 783 2049  
[+41 61 563 07 05](tel:+61615630705)  
[+61 2 9619 9999](tel:+61296199999)

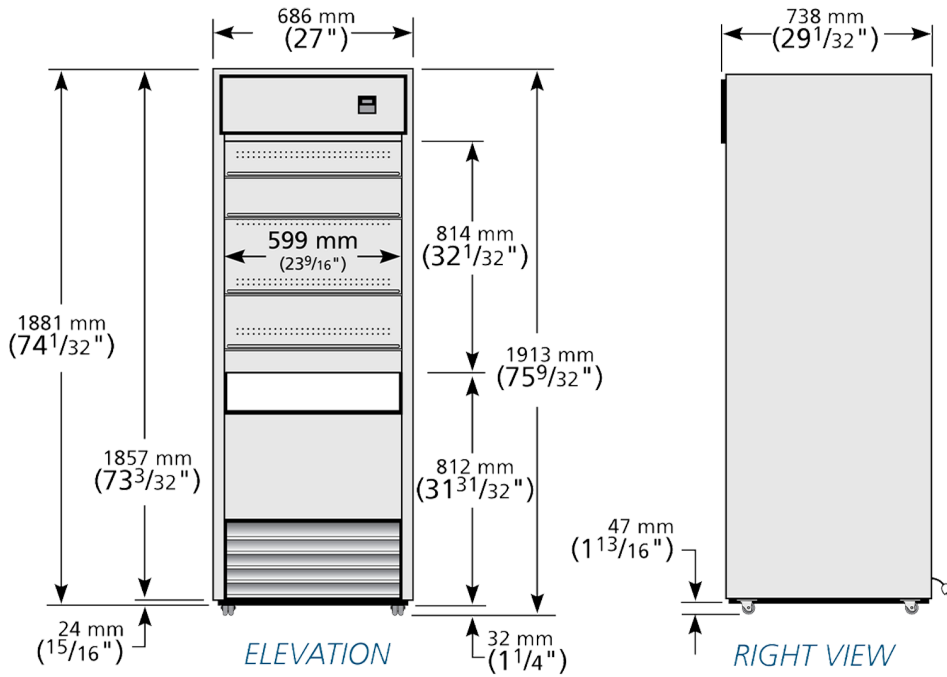
[TFIUK@truemfg.com](mailto:TFIUK@truemfg.com)  
[TrueCHCustomerService@truemfg.com](mailto:TrueCHCustomerService@truemfg.com)  
[TrueRefAus@truemfg.com](mailto:TrueRefAus@truemfg.com)



Air Curtain Display

# TAC-27K-HC-LD

Upright Open Multideck Refrigerator



Specifications subject to change without notice.  
Chart dimensions rounded up to the next whole millimeter (inches rounded up to the 1/8")

UK & Ireland  
EMEA  
Australia

0800 783 2049  
+41 61 563 07 05  
+61 2 9619 9999

TFIUK@truemfg.com  
TrueCHCustomerService@truemfg.com  
TrueRefAus@truemfg.com

