

Roll-in blast chiller


Models : CT30110PRORE / CT30110PRORE-D / CT30140PRORE / CT30140PRORE-D


400V 3N 50Hz





CAPACITY


CT30110PRORE - CT30110PRORE-D


 **110 kg**

 **95 kg**

 **+90°C**


 **+3°C**


 **+90°C**


 **-18°C**


TROLLEY/S **1 - 2**


CT30140PRORE - CT30140PRORE-D


 **140 kg**

 **125 kg**

 **+90°C**

 **+3°C**

 **+90°C**

 **-18°C**

1 Trolley
800x 950 mm GN 2/1
800 X 1050mm
CT30110PRORE-D CT30140PRORE-D
2 Trolleys
600x400 mm

FEATURES

- Touch 7" control panel
- Functions: **blast chilling**, **shock freezing**, manual cycle
- Storable recipes
- USB Drive included
- Stainless steel AISI 304 construction
- 70 mm panel thickness (HFC free)
- Core probe
- Hot gas defrosting
- HACCP data report
- Remote condensing unit
- Floor and ramp included
- Ozone Sanitisation
- Maximum Ambient Temperature 32 Degrees C

OPTIONAL

- Water cooled condensing unit
- Sound-absorbing condensing unit case
- Second core probe
- Pass-through door (tunnel)
- Tropical rated remote condenser

TECHNICAL FEATURES

Product Code	CT30110PRORE	CT30110PRORE-D	CT30140PRORE	CT30140PRORE-D
Power Supply (no lead or plug supplied)	400V/3N/50HZ	400V/3N/50HZ	400V/3N/50HZ	400V/3N/50HZ
Outside width	1415 mm	1415 mm	1415 mm	1415 mm
Outside height	2360 mm	2360 mm	2360 mm	2360 mm
Outside depth	1225 mm	1335 mm	1225 mm	1335 mm
Maximum trolley dimensions	870W x 930D x 2000H mm	870W x 1050D x 2000H mm	870W x 930D x 2000H mm	870W x 1050D x 2000H
Cable size	5 x 2.5 mm ²	5 x 2.5 mm ²	5 x 4.0 mm ²	5 x 4.0 mm ²
Power consumption per phase / max current	5700 W - 19A	5700 W - 19A	6500 W - 22A	6500 W - 22A
Shipment data (WxDxH - kg)	245 x 146 x 112 cm-450 kg	245 x 146 x 112 cm-450 kg	245 x 146 x 112 cm-450 kg	245 x 146 x 112 cm-450 kg
REMOTE CONDENSING UNIT FEATURES - 10 mt max distance				
Power Supply (no lead or plug supplied)	400V/3N/50HZ	400V/3N/50HZ	400V/3N/50HZ	400V/3N/50HZ
Refrigeration power (-20°C / + 40°C)	8310W - 4HP	8310W - 4HP	10970W - 5,5HP	10970W - 5,5HP
Defrost	Hot gas	Hot gas	Hot gas	Hot gas
Discharge pipe diameter <small>of included kit</small>	12	12	12	12
Suction pipe diameter <small>of included kit</small>	28	28	28	28
Hot gas pipe diameter <small>of included kit</small>	10	10	10	10
Gas charge	R452A (GWP2141)/ R404	R452A (GWP2141)/ R404	R452A (GWP2141)/ R404	R452A (GWP2141)/ R404
Shipment data (WxDxH - kg)	80 x 155 x 70cm-270 Kg	80 x 155 x 70cm-270 Kg	95 x 160 x 85mm-310 Kg	95 x 160 x 85mm-310 Kg
WATER CONDENSING UNIT				
Water Temp 15°C	Consumption m ³ /h	1.28	1.65	1.65
Water Temp 30°C	Consumption m ³ /h	2.11	2.78	2.78
Floor Height	70mm	70mm	70mm	70mm

our technology,
your taste

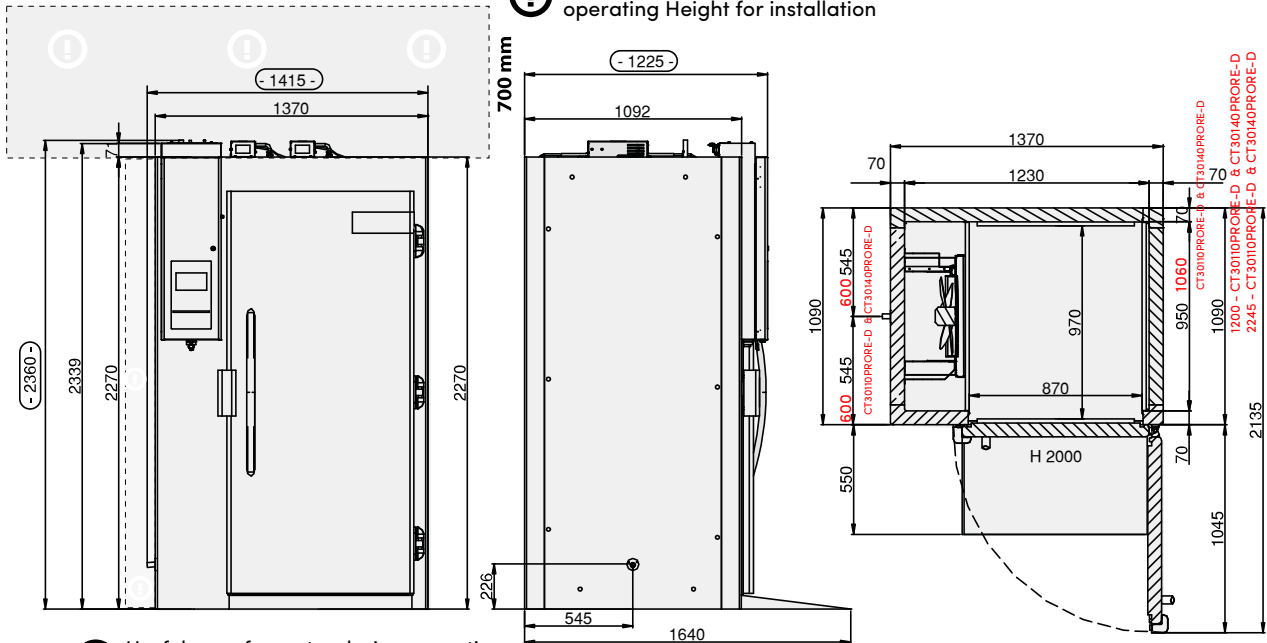
DIMENSIONS

FRONT VIEW

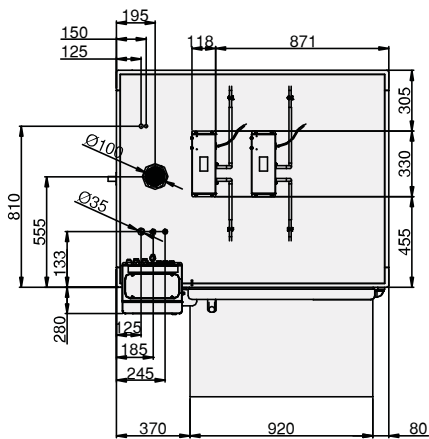
LATERAL VIEW

TOP VIEW

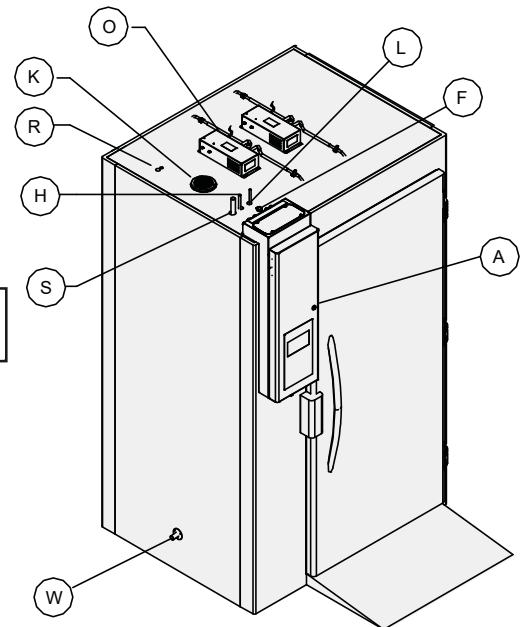
! Height clearance - Minimum operating height for installation



! Useful area for water drain connection



Second Door Optional



- O** Ozone Box
- K** Compensation valve
- R** Cables outlet
- H** Hot gas line
- S** Suction line
- W** Water discharge \varnothing 20 mm
- L** Liquid line
- F** WiFi Connection
- A** Electric box
- Touch Panel 7"**

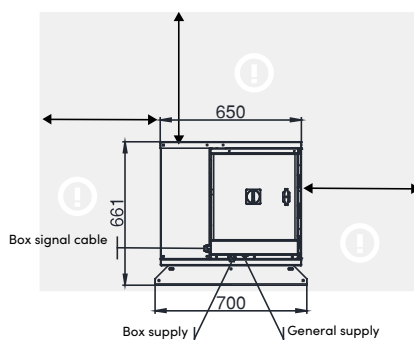
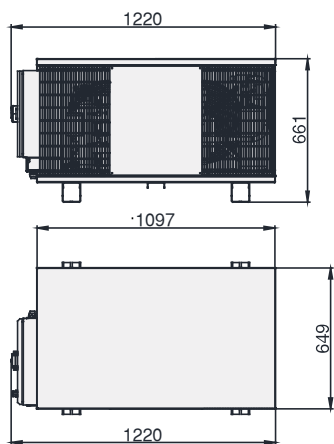
our technology,
your taste

400V 3N 50Hz

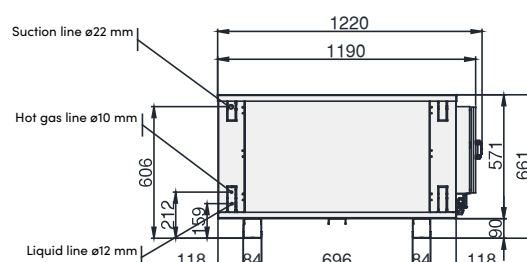
CONDENSING UNIT

4 HP

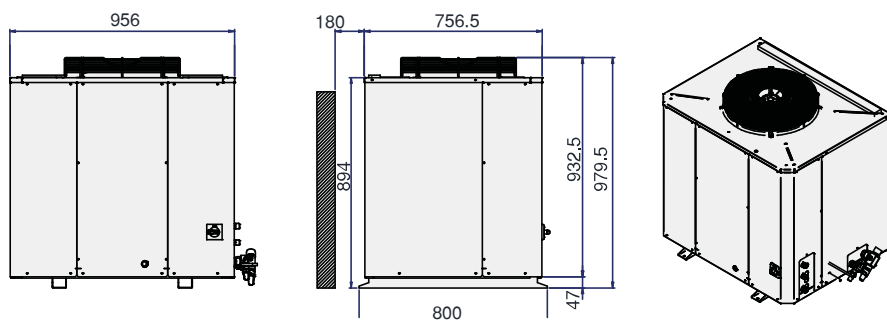
10 mt Kit remote distance
INCLUDED



⚠ Min. useful space



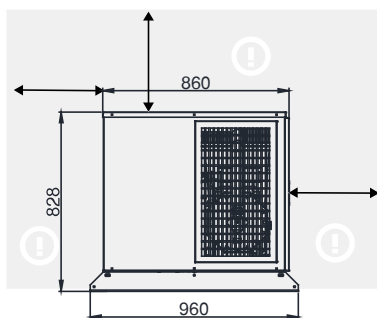
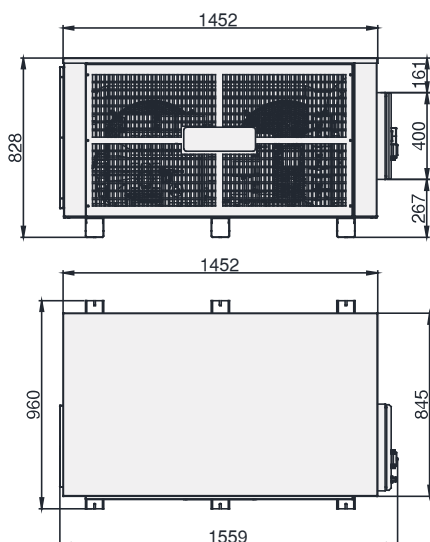
4 HP LOW NOISE



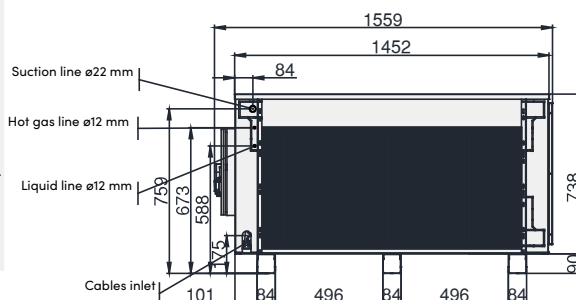
63,5 Sound power level (dBA)

35,5 Sound pressure level at 10m (dBA)

5,5 HP

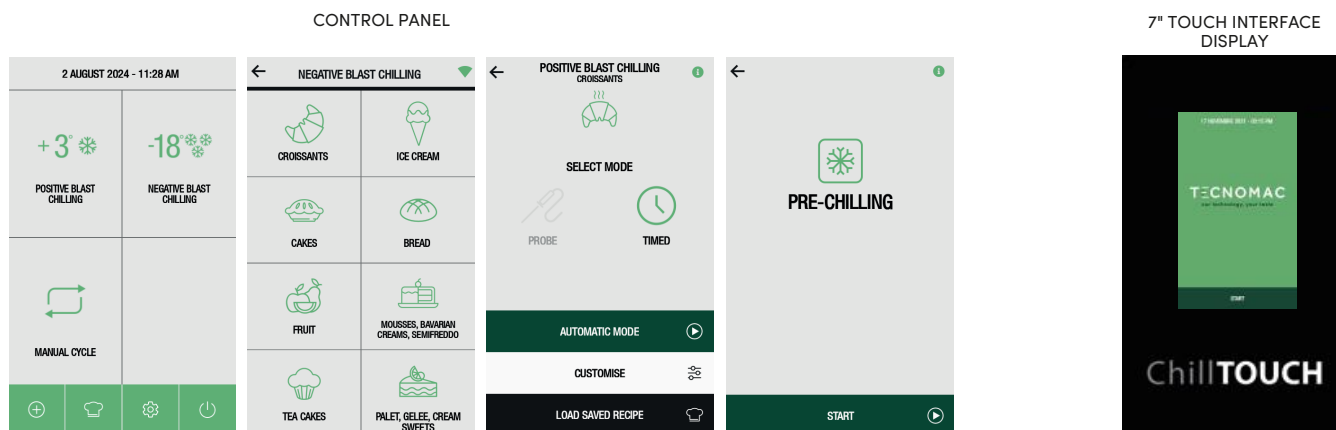


⚠ Min. useful space

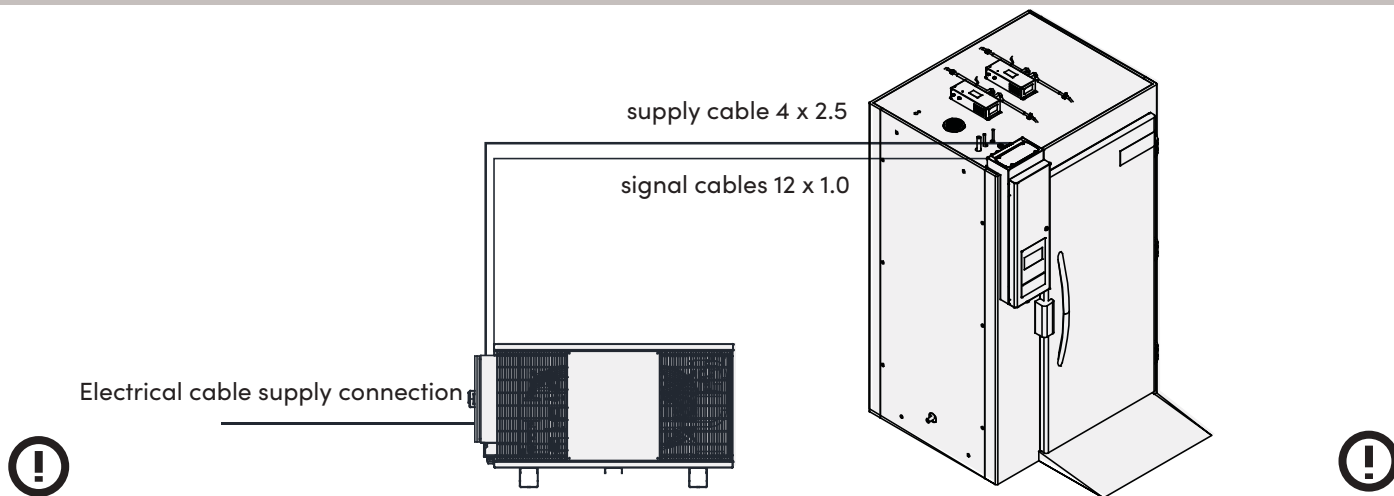


our technology,
your taste

FUNCTIONS



ELECTRICAL CONNECTIONS



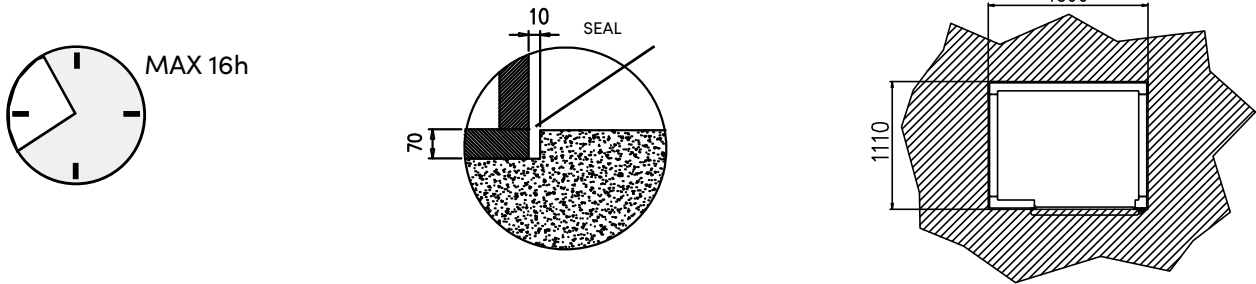
Connection to condensing unit NOT supplied by Tecnomac

- Tecnomac guarantees only the good functioning of the cabinet only. This option is not advised.
- Output signal supplied for switch on compressor
- Output signal supplied for switch on hot gas valve (if present)
- Input signal available for alarm coming from the condensing unit, which stops the machine.

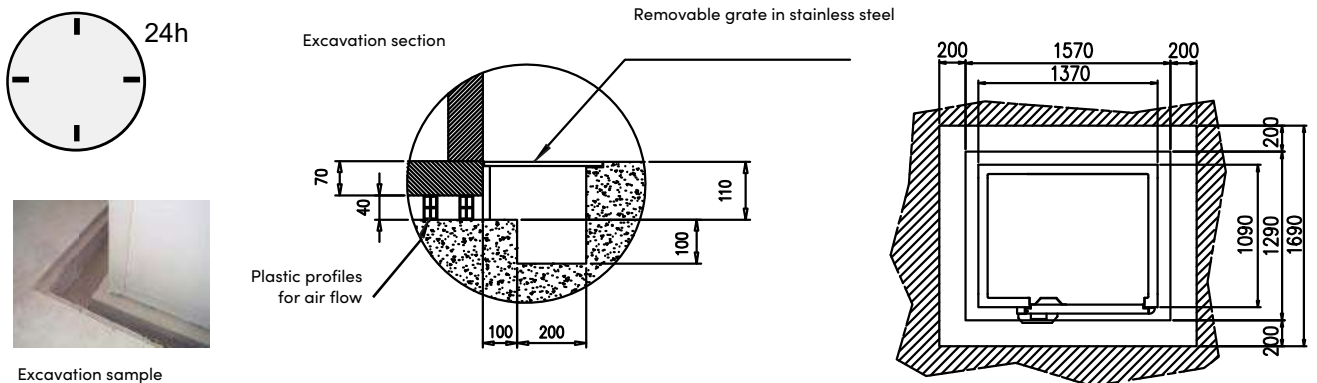
our technology,
your taste

EXCAVATION

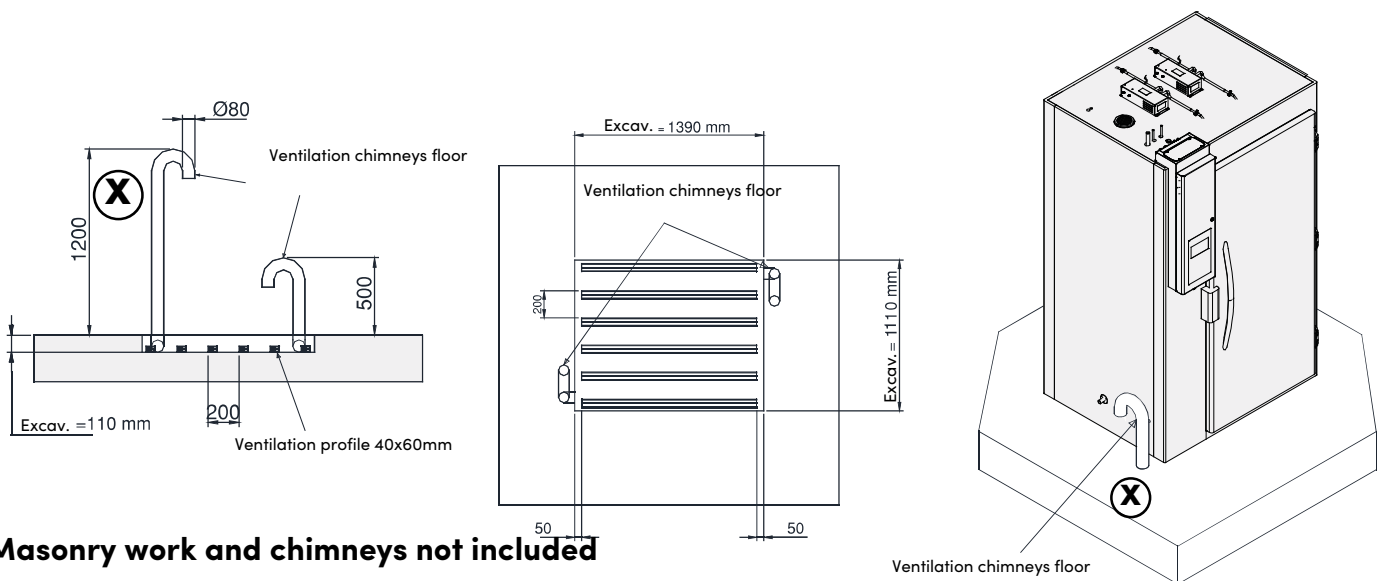
Solution for less than 16h per day use



Solution for 24h per day use with removable grate



Solution for 24h per day use with ventilation chimneys



! Masonry work and chimneys not included