

SDGSXR Commercial Dryer



10 KG MANUAL COIN OPERATED GAS DRYER

Features and Benefits

- Super strength, high security, double wrapped steel front money vault discourages and prevents vandalism.
- 100% front service dryer reduces maintenance time and costs ensuring maximum availability.
- Rear controls matching the SWNSX2 top load coin operated washer for perfect pairing of both capacity and style.
- Gas fueled burner for reduced energy costs and drying times.

SPECIFICATIONS

DIMENSIONS	
CAPACITY	10 kg
WIDTH	683 mm
DEPTH	711 mm
HEIGHT	1,114 mm
DRUM VOLUME	198 litres
NET WEIGHT	68 kg
OPERATION	
CYCLES	4 cycles, 3 fabric temperatures
CYCLE INDICATOR	Yes
CYCLE TIME	Variable to suit desired vend price
CONTROLS	Manual
ACTIVATION	Manual slide
HEAT INPUT	27.4 Mj Natural Gas or LPG
MOTOR	1/3 hp
CONSTRUCTION	
DRUM	Galvanised steel
OUTER CABINET	Steel



SDGSXR Commercial Dryer



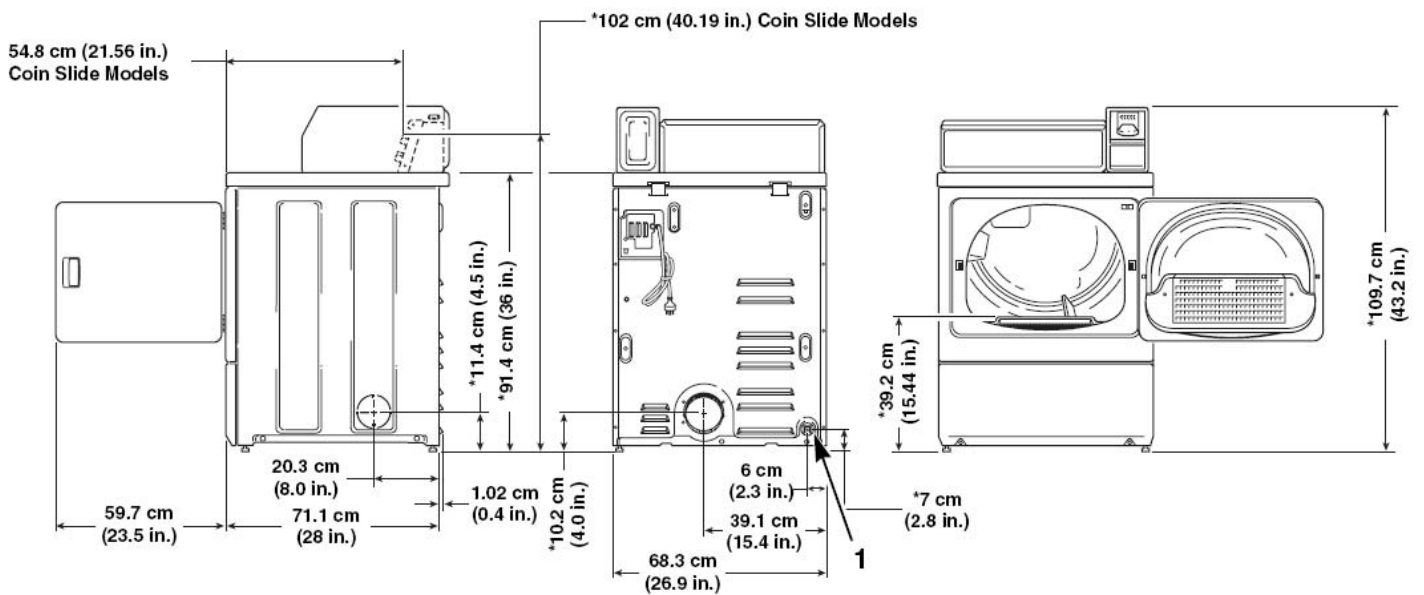
TECHNICAL SPECIFICATIONS

UTILITIES

SINGLE PHASE 240 V 50 HZ 10 AMP
10 AMP CIRCUIT-BREAKER REQUIRED
1.8 M POWER CORD
GAS SUPPLY CONNECTIONS 3/8 INCH NPT
GAS CONSUMPTION 27.4 MJ/H
FLUE DIAMETER 102 MM (4 INCH)
AIR FLOW 105 LITRES / SECOND
MAX POWER DRAW 350 W / HOUR
OPTIONAL LPG CONVERSION
OPTIONAL RIGHT HAND SIDE VENTING

SHIPPING DIMENSIONS

WEIGHT	73 kg
HEIGHT	1,143 mm
WIDTH	775 mm
DEPTH	762 mm
	0.67 m ³



Speed Queen Equipment Sales
 26 Theobald Street, Thornbury, VIC 3071
 Ph: (03) 9495 1300
 Ph: 1300 945 414
 W: www.speedqueensales.com.au
 E: info@speedqueensales.com.au
 Servicing Victoria & Tasmania.