

# LTGE5A Commercial Washer/Dryer



## 10KG FRONT LOAD WASHER AND STACKED 10KG GAS DRYER

### Features and Benefits

- Low water consumption of only 44.3 litres per wash on a standard cycle with NO additional options selected with the full wash completed in 30 minutes.
- Pre-Wash and extra rinse option for heavily soiled loads.
- Energy saving 'High Speed Extract' spin cycle of 1,200 rpm producing 'G' forces in excess of 440 for greater water removal, resulting in reduced drying times and associated energy savings.
- 100% front service dryer.

### SPECIFICATIONS

DIMENSIONS	
CAPACITY	10 kg washer, 10 kg dryer
WIDTH	683 mm
DEPTH	704 mm
HEIGHT	1,986 mm
NET WEIGHT	177 kg
OPERATION	
WASHER CYCLES	6 Cycles, 3 Soil Levels
DRYER CYLES	6 Cycles, 3 Fabric Temperatures
LIGHTS CONTROLS	Yes & Timer Display
ACTIVATION	Electronic E MECH
WATER TEMPERATURE	Hot, warm or cold
MOTOR WASHER SPIN	1 hp, variable speed
SPEED WASHER	500 - 1,200 rpm, variable speed
WATER USE WASHER	44.3 litres / wash standard cycle
HEAT INPUT DRYER	21.9 mj natural gas or LPG
CONSTRUCTION	
DRUM WASHER	Stainless steel
OUTER BOWL WASHER	Stainless steel
OUTER CABINET	Steel
DRUM DRYER	Galvanised



# LTGE5A Commercial Washer/Dryer



## TECHNICAL SPECIFICATIONS

### UTILITIES WASHER

10 AMP SINGLE PHASE 240 V 50 HZ
10 AMP CIRCUIT-BREAKER REQUIRED
1.8 M POWER CORD
HOT AND COLD WATER CONNECTIONS REQUIRED
1.2 M HOT AND COLD WATER HOSES SUPPLIED
WATER SUPPLY HOSE TAP <b>ENDS</b> 3/4 BSP THREADS
MAX HOT WATER CONSUMPTION 31 LITRE / CYCLE (INC PRE-WASH)
MAX WATER CONSUMPTION 74.2 LITRE / CYCLE
MAX POWER DRAW 750 W / HR
DRAIN: 610 - 914 MM UPSTAND, 50 MM DIAMETER
WATER SUPPLY PRESSURE BETWEEN 140 KPA/825 KPA

### UTILITIES DRYER

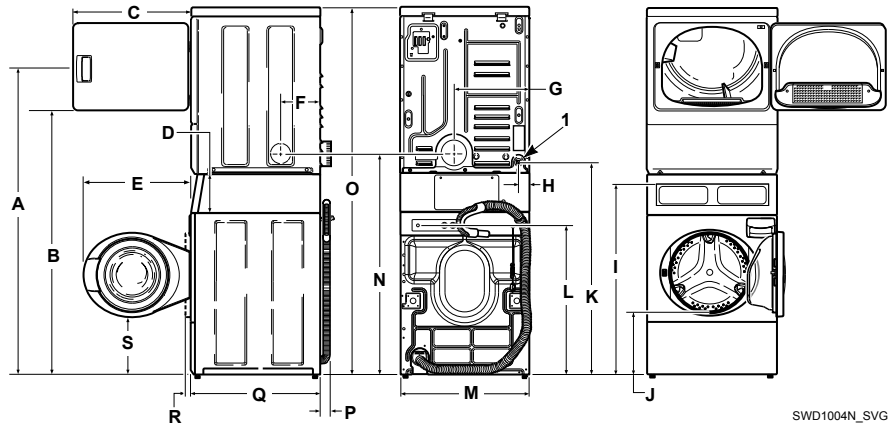
10 AMP SINGLE PHASE	240 V 50 Hz
10 AMP	Circuit-breaker required
1.8 M	Power Cord
FLUE DIAMETER	102 mm (4 in)
AIR FLOW	85 litres / second
MAX POWER DRAW	4,000 w / hour
OPTIONAL	Right or left side venting

### SHIPPING DIMENSIONS

WEIGHT	193 kg
HEIGHT	2,032 mm
WIDTH	737 mm
DEPTH	832 mm
	1.25 m <sup>3</sup>

A) *1678 mm	B) *1447 mm	C) 597 mm	D) 213 mm	E) 610 mm
F) 203 mm	G) 391 mm	H) 59 mm	I) *938 mm	J) *368 mm
K) *1140 mm	L) *813 mm	M) 683 mm	N) *1184 mm	O) *1986 mm
P) 52 mm	Q) 704 mm	R) 38 mm	S) *333 mm	

\* With Leveling Legs Turned into Base.



SWD1004N\_SVG



Speed Queen Equipment Sales  
 26 Theobald Street, Thornbury, VIC 3071  
 Ph: (03) 9495 1300  
 Ph: 1300 945 414  
 W: [www.speedqueensales.com.au](http://www.speedqueensales.com.au)  
 E: [info@speedqueensales.com.au](mailto:info@speedqueensales.com.au)  
 Servicing Victoria & Tasmania.