



SINTESI+ 80G, SINTESI+ 120G, SINTESI+ 160G, SINTESI+ 200G, SINTESI+ 250G, SINTESI+ 300G Spiral Mixers

Product Features

- Heavy duty painted steel structure.
- Plastic anti-shock safety guard with support for a complete vision of the work.
- Stainless steel header top cover.
- High resistance stainless steel spiral and breaking bar.
- Stainless steel tank with tank flexing contrast system.
- Supplied on wheels with adjustable feet for added stability
- High-performance belt drive and dedicated high-power motors for bowl and spiral rotation.
- 7" touch screen control panel for setting dough times for each speed.
- The change from the first to the second mixing speed and the stopping of the machine happens automatically.
- Possibility of pulse-controlled rotation of the bowl, with open guard, to facilitate emptying.
- Possibility to reverse the bowl rotation in first speed.
- Comprehensive operation and cleaning procedure manual supplied
- Automatic & Manual functions
- Three selectable dough modes with different spiral rotation speeds for handling different types of dough:
- LED light in the under head for lighting the bowl.
- External LED lights to indicate machine status
- Motor protection from overload and overvoltage.



SINTESI+ 60G

Sottoriva is a leading Italian manufacturer of machines and lines for the bread and pastry industries. Established in 1941, Sottoriva offers a comprehensive range of heavy duty equipment to suit from small bakeries right through to large industrial installations, all manufactured to the highest standards to ensure many years of optimal performance. The Sottoriva equipment range includes spiral, fork and double arm dough mixers, removable bowl mixers, automatic roll divider / rounders, fully automated bread roll production lines, fully automated bread production lines and a range of specialized equipment for the craft baker. World renowned for quality equipment, optimal performance and superior reliability, Sottoriva Technology can certainly provide the future for your bakery.

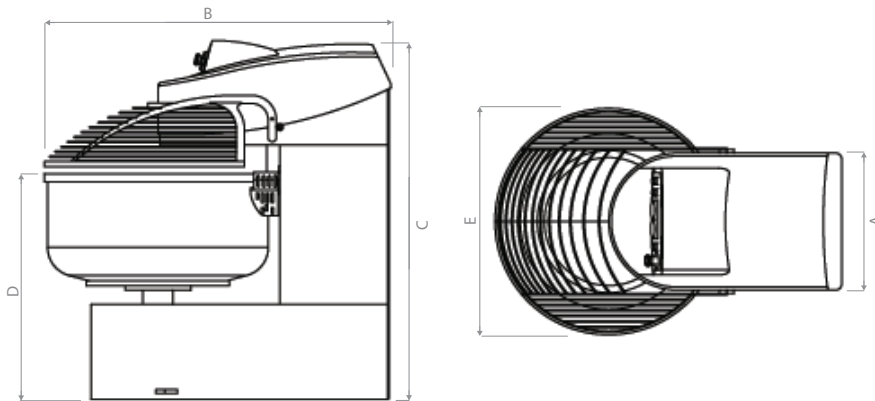
SINTESI+ 80G, SINTESI+ 120G, SINTESI+ 160G, SINTESI+ 200G, SINTESI+ 250G, SINTESI+ 300G Sprial Mixers

Model	Dimensions (mm)					Weight (kg)	Kilowatt (kW)	Dough Capacity (kg)	Flour Capacity (kg)
	Width (A)	Depth (B)	Height (C)	Height (D)	Bowl Width (E)				
SINTESI+ 80G	450	1280	1348	832	700	378	6.05	80	52
SINTESI+ 120G	500	1363	1343	855	800	523	8.05	120	84
SINTESI+ 160G	550	1551	1565	960	900	649	11.55	160	103
SINTESI+ 200G	550	1551	1565	1000	900	660	15.55	200	129
SINTESI+ 250G	600	1759	1589	969	470	1180	19.25	250	161
SINTESI+ 300G	600	1759	1589	1014	510	1185	19.25	300	193

Electrical Requirements:

400-415V, 3P+E, 50Hz

Must be installed on an electrical circuit that includes "D-Curve" circuit breakers and "B-Type" RCD protection.



moffat.com.au
moffat.co.nz

Australia
moffat.com.au

Moffat Pty Limited

Victoria/Tasmania
740 Springvale Road
Mulgrave, Victoria 3170
Telephone +613-9518 3888
Facsimile +613-9518 3833
vsales@moffat.com.au

New South Wales
Telephone +612-8833 4111
nswsales@moffat.com.au

South Australia
Telephone +613-9518 3888
vsales@moffat.com.au

Queensland
Telephone +617-3630 8600
qldsales@moffat.com.au

Western Australia
Telephone +618-9413 2400
wasales@moffat.com.au

New Zealand
moffat.co.nz

Moffat Limited

Rolleston
45 Illinois Drive
Izone Business Hub
Rolleston 7675
Telephone +64 3-983 6600
Facsimile +64 3-983 6660
sales@moffat.co.nz

Auckland
Telephone +64 9-574 3150
sales@moffat.co.nz



In line with policy to continually develop and improve its products, Moffat Limited reserves the right to change specifications and design without notice. This specification sheet is meant for commercial purpose only. For technical documentation please refer to our service manuals.

© Copyright Moffat Ltd
ANS.10.24

an Ali Group Company



The Spirit of Excellence