

SPF516AU

Family	Dishwasher
Subfamily	Undercounter Glasswasher
Type	Raised traywasher
Crockery	Crockery; Cutlery; EN 600x400 trays; GN1/1 trays
Basket dimensions	500x500 mm
Control panel	Electronic
Standard drain pump with partial water renewal in the wash tank	Yes
Rinse pump	HTR system
Boiler type	Atmosferic boiler
Wash pump	Standard
Power connection	400 V 3N~ / 12 A / 7,3 kW / 50 Hz
Product dimensions WxDxH	600x690x1315 mm



Distribution

Industries	Hotels; Ristoranti / Catering; Bakeries / Pastry shops; Care facilities ; Catering; Commercial food services; Butcher shops / Delicatessens
------------	--

Aesthetics

Led color	Green	Serie	Easyline
-----------	-------	-------	----------

Technical Features

Trays number	7 x GN1/1	Max water hardness	5°f - 3°dH
Trays washing option	Yes	Inlet pressure	100-1000 kPa
Water consumption per cycle	3,2 l	Detergent load	1,5 l/h
Wash temperature (min-max)	60 °C	Rinse load	0,4 l/h
Rinse temperature (min-max)	24 °C - 85 °C	Usable load height	400 mm
Min. water connection temperature	8°C	Depth with open door	1290 mm
Minimum water consumption per cycle	3,2 l	Maximum dishes diameter	415 mm
Max. inlet temperature	60°C		

Programs

Programs	7 automatic programs; Self-cleaning programs; Cold water rinse program
Program options	Extra rinse; Clean water cycle
Program table	Easyline dishwasher and traywasher 500
Maximum basket/hour	60
Maximum dishes/hour	1080
Maximum glasses/hour	2160

Electrical Connection

Tank heating element power	2000 W	Default connection	7300 W
Boiler heating element power	6100 W	Electrical connection option	220 V 3~ / 19 A / 6,8 kW / 60 Hz; 220 V 3~ / 19 A / 7,3 kW / 60 Hz; 230 V~ / 15 A / 3,4 kW / 50 Hz; 230 V~ / 17 A / 3,9 kW / 50 Hz; 230 V~ / 20 A / 4,5 kW / 50 Hz; 230 V~ / 22 A / 5,0 kW / 50 Hz; 400 V 3N~ / 12 A / 6,8 kW / 50 Hz
Wash pump power	700 W	Plug	No

Interface

Display	8 digit	Cycle progress alert	Yes
On/Off button	Yes	End-cycle alert	Yes
Rinse aid missing alert	Yes	Manual diagnostic	Yes
Detergent missing alert	Yes		

Construction

Tank Construction	Deep drawn Double wall	Rack guides	Embossed
Tank material	Stainless steel AISI 304	Filter	5-stages filter system
Back panel	St/steel	Tank capacity	11 l
Balanced door	Yes	Boiler capacity	6.5 l
Upper washing system	One washing and one split rinse spray arms, stainless steel	Rumorosità	Lpa 54,5 dBA
Lower washing system	One washing and one split rinse spray arms, stainless steel	Protection class	IPX4
Tank filter	Stainless steel	Adjustable feet	Yes
Door gasket	On 3 sides	Drain max. height	600 mm

Accessories Included

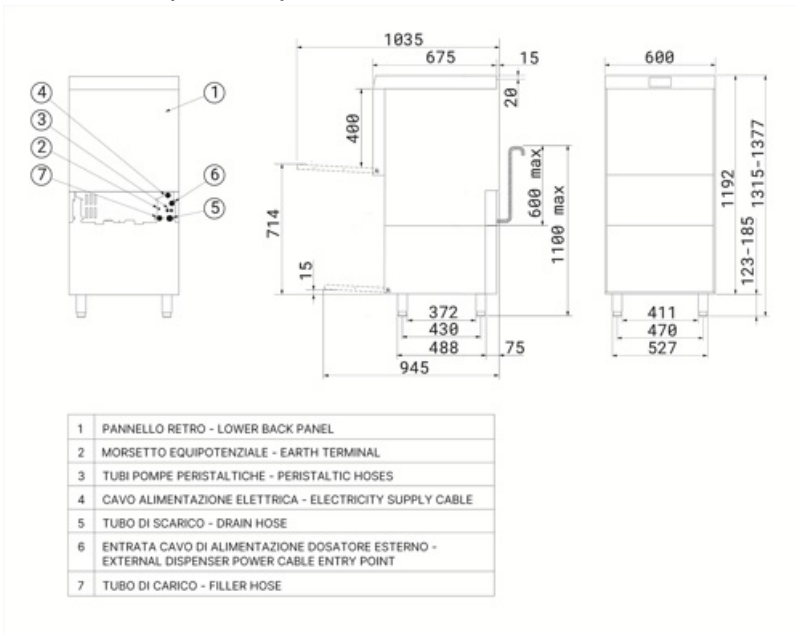
Flat basket	1x PB50G02	Water supply pipe	In acciaio Watermark
Grids	1 x KIT-WG500	Drain pipe	Yes - 2m
Tray basket	WB50T03		

Equipments

Peristaltic detergent dispenser	Yes, electronic control	Option for auto daily switch on	Yes, default OFF
Peristaltic rinse-aid dispenser	Yes, electronic control	Cycle counter	Yes
Chemicals level probe	Yes, optional KITSONLIV	Break tank	Yes
Rinse boiler Thermostop system	Yes - default	Water supply pipe diameter	DN15 - ½"
Wash tank Thermostop system	Yes	Drain supply pipe diameter	DN20-G 3/4"
Wash pump soft start system	Yes	Detergent (red) hose length	2,2 m
Stand-by system	Yes	Rinse aid (blue) hose length	2,2 m

Logistic Information

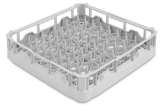
EAN code	8017709345716	Net weight	88.000 kg
Packed product dimensions (WxDxH)	660x700x1470 mm	Gross weight (kg)	98.000 kg



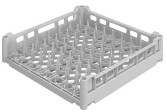
Compatible Accessories



KITSONLIV
Probe level kit



PB50D01
Basket made of polypropylene for 18 plates
500x500



PB50T01
Polypropylene basket for 8 trays GN 1/1
h 40 mm



PHOOS04
4 compartments polypropylene basket
for cutlery



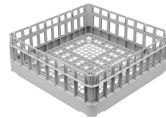
WB50T02
Wire basket for 5 trays 600x500



WH00S01
Wire insert for 12 small dishes



KIT-WG500
Support grid for tray washer, dim.
(WxD) 500x500 mm



PB50G02
Universal basket in polypropylene
500x500



PHOOS01
Single basket in polypropylene for
cutlery



WB50D01
Wire basket for 18 dishes and trays
500X500



WB50T03
Wire basket for 5 trays 600x500

Benefit (TT)

Balanced door

Effortless opening and closing

Effortless opening and closing

The counterbalanced door is designed to ensure smooth and effortless opening and closing, providing high user convenience. Additionally, it can be locked in a halfway position, a particularly useful feature for promoting natural drying at the end of the workday, enhancing overall hygiene and preventing the buildup of residual moisture.

5-stage system

Deep cleaning and spotless washes with the patented filtration system

The innovative Smeg filtration system consists of 5 stages to completely eliminate all impurities: the 1st stage captures larger food residues; in the 2nd and 3rd stages, finer particles are captured at this filtration stage; the 4th stage features a pre-filtration grid to prevent debris from entering the tank and clouding the water. Finally, the last stage is designed to further protect the washing and draining pumps from any debris that may accidentally enter the tank during filter cleaning.

The presence sensor filter alerts if the filtration system is out of position, ensuring safe washes every time.

HTR System

Consistent temperatures and pressures for uniform and effective dishwashing

Thanks to the HTR system (High Temperature Rinse) and the presence of the atmospheric boiler combined with the Thermostop, the cold inlet water does not enter the boiler during rinsing, ensuring a constant temperature of 85°C. The HTR system keeps the water hot for deep sanitisation and quick drying, ensuring constant pressure for uniform and effective cleaning.

Moulded tank

Superior washing performance and enhanced cleaning convenience with molded tub bottoms and basket guides

Smeg dishwashers are designed with moulded tank and basket guides. The absence of sharp edges ensures an optimised wash flow, guaranteeing hygiene and impeccable cleaning performance. Furthermore, this innovative design simplifies machine cleaning, reducing the need for maintenance interventions.

Integral double skin

Thermal and acoustic insulation guaranteed

The double wall is designed to optimise energy efficiency by reducing heat loss and accelerating water heating, resulting in lower energy consumption and faster cycle start-up times. Additionally, it provides effective acoustic insulation, helping to reduce noise and ensuring a quieter, more comfortable working environment for the staff.

Drain pump

Partial water replacement during the wash cycle for clean and hygienic dishes

The standard drain pump, equipped with a partial water exchange system, ensures that the dirtiest water is automatically removed at every wash cycle. This mechanism allows for continuous renewal of the water used, ensuring that each phase of the washing process is carried out with clean water. The result is optimal dishwashing performance, with outstanding efficiency and an impeccable level of hygiene.

Soft-start system

Effective management of the washing pump to protect your glassware

The Soft-Start function initiates the wash cycle gently and gradually, progressively increasing the water pressure. This system has been designed to provide optimal protection for the most fragile items, such as crystal glasses, significantly reducing the risk of chipping or damage. At the same time, it ensures excellent cleaning performance, combining efficiency and safety in every wash cycle.

Raised version

Easy and fast dishwasher loading and unloading operations

The raised design facilitates loading and unloading dishes, making these tasks faster and more efficient. This results in significant time savings, especially valuable in high-intensity work environments. The space below the dishwasher can be used to store detergents, utensils, or other accessories, providing a practical solution to optimise space usage, particularly in compact kitchens.