

SPGR9

PROFESSIONAL GRILL PLATE - 90CM

OPTIONS: Natural or LPG Gas



GUARANTEED PERFORMANCE

Smeg catering products draw on the experience of approximately 40 years in the Foodservice industry. Our products are built with the highest quality materials, making them particularly tough and strong.

EFFICIENCY

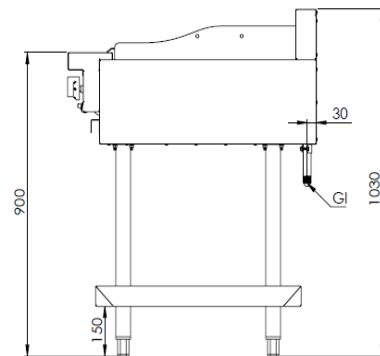
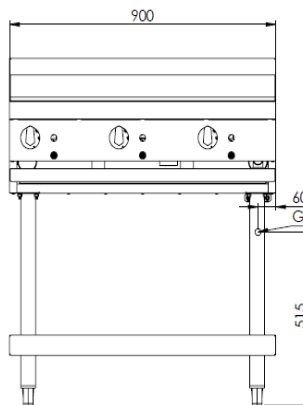
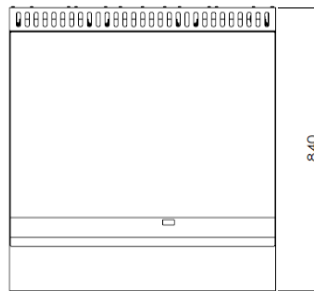
The Smeg Grill Plate is constructed using AISI 304 grade stainless steel and features a heavy-duty top welded seamless grill plate, which is heated by aluminised tubular burners, allowing for even heat dispersion. Each burner is fitted with a flame failure safety device, piezo ignition, and a multi-setting gas valve allowing for greater regulation of the flame.

VERSATILITY

The complete Smeg Professional catalogue offers a range of products for all needs and environments, fulfilling any requirement in the most efficient and high-performing way.

PRODUCT FEATURES

- AISI Grade Stainless Steel
- Heavy duty complete stainless steel frame with undershelf
- 22MJ aluminised tube burner per 300mm section
- Heavy duty mild steel grill plate (1.6mm Thick)
- Italian made top welded smooth finish design
- Grill Plate cooking area - 595mm W x 550mm D
- Flame Failure - Included as standard
- Piezo ignition to pilot grill plate burner
- Multi-setting gas valve – Allows greater regulation of flame setting
- Easy access to all components for servicing and adjustments
- Easy to clean fat spillage tray
- Dimensions (mm) (WxDxH): 900x840x1030
- **12 months parts and labour warranty**



Gas regulator is included with the unit
 Must be installed by an authorised installer in accordance to AS/NZS5601 refer to current version
 Due to ongoing Product Development, Product Improvement and Research, Smeg Professional reserves the right to alter specification without notice.
 Approval Number: GMK 10686

