

# SPBT6

## PROFESSIONAL BOILING TOP - 6 BURNER

OPTIONS: Natural or LPG Gas



### GUARANTEED PERFORMANCE

Smeg catering products draw on the experience of approximately 40 years in the Foodservice industry. Our products are built with the highest quality materials, making them particularly tough and strong.

### EFFICIENCY

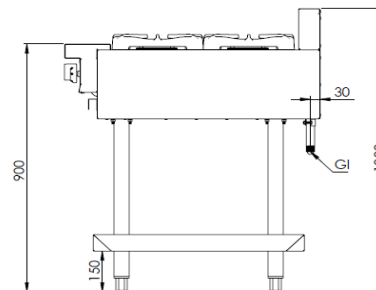
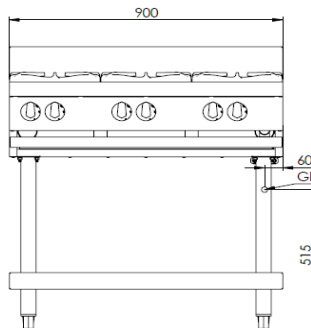
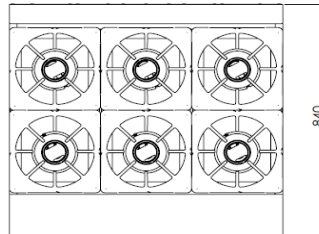
A highly efficient and powerful 31Mj single-ring burner readily meets the requirements of a demanding kitchen. Each burner is fitted with a multi-setting gas valve, enabling enhanced flame regulation. Maintenance is made easy through frontal access to all components.

### VERSATILITY

The complete Smeg Professional catalogue offers a range of products for all needs and environments, fulfilling any requirement in the most efficient and high-performing way.

### PRODUCT FEATURES

- AISI Grade Stainless Steel
- Heavy duty complete stainless steel frame with undershelf
- 31Mj black enameled Italian made burner
- Heavy duty Italian made vitreous enameled trivets
- Removable pressed top spillage tray for easy cleaning
- Removable heavy duty two-piece burner for easy cleaning
- Flame Failure - Included as standard
- Multi-setting gas valve – Allows greater regulation of flame setting
- Easy access to all components for servicing and adjustments
- Easy to clean fat spillage
- Dimensions (mm) (WxDxH): 900x840x1030
- **12 months parts and labour warranty**



Gas regulator is included with the unit  
 Must be installed by an authorised installer in accordance to AS/NZS5601 refer to current version  
 Due to ongoing Product Development, Product Improvement and Research, Smeg Professional reserves the right to alter specification without notice.  
 Approval Number: GMK 10686

