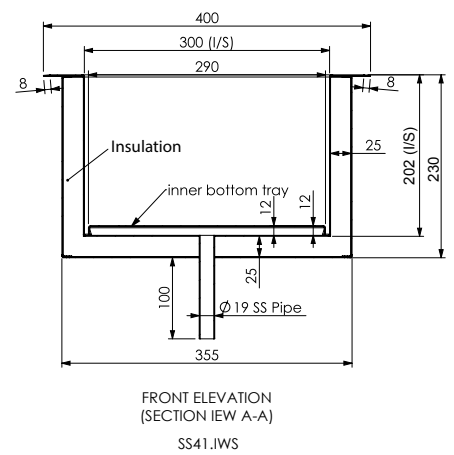
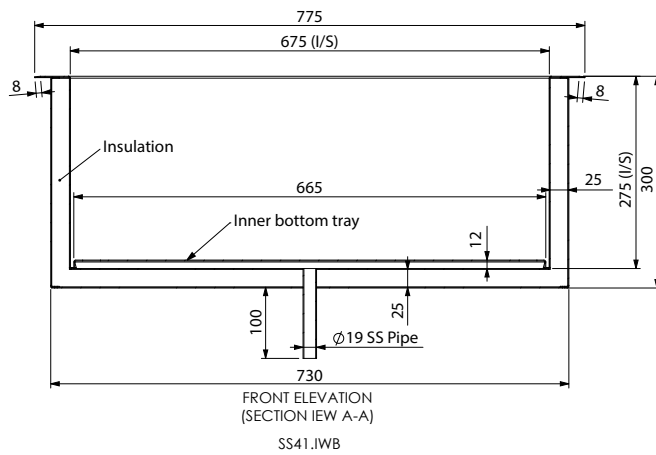


Product Information:

- Drop In stainless steel Ice Wells
- 1.2mm gauge perforated inner bottom tray for catching unwanted materials
- 25mm styrofoam, double skinned insulated shell
- Available in two sizes to suit your application



General Drawing:



Specifications

Product Code	W x D x H (mm)	Unit Weight (kg)
SS41.IWB	800 x 500 x 410	23
SS41.IWS	430 x 430 x 370	11
SS41.IWBL	715 x 420 x 40	1
SS41.IWSL	340 x 340 x 40	1
SS41.IWBD	376 x 100 x 240	11
SS41.IWSD	296 x 100 x 180	11

Due to continuous product research and development, the information contained herein is subject to change without notice.

Revision: B - 23/08/2024 - 04

www.stoddart.com.au

