

### Product Information:

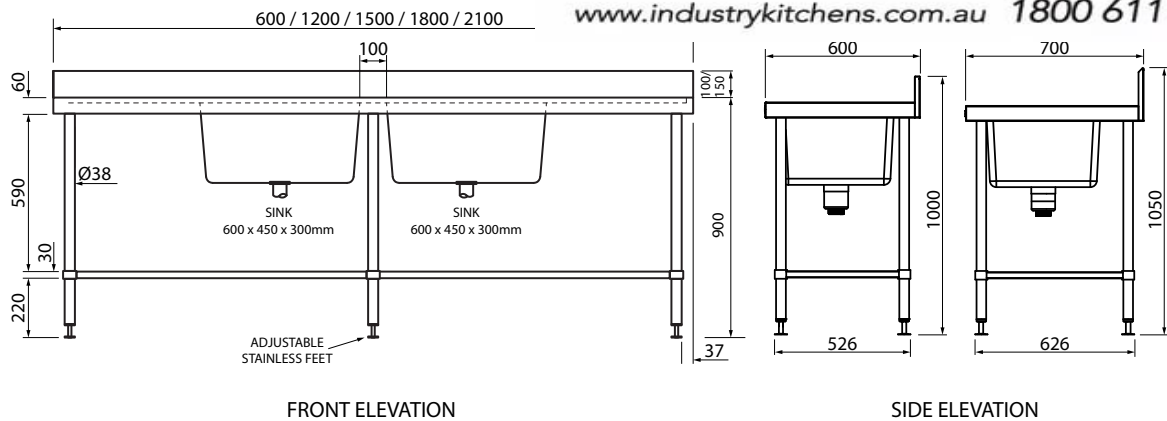
- Wet bench with two central fabricated bowls, available in 600mm or 700mm depth
- 1.2mm thick 304 stainless steel top
- Stainless steel top hat stiffening
- 38mm diameter stainless steel tube legs, 1.2mm thick
- 19mm diameter stainless steel tube under-shelf, 1.2mm thick
- Adjustable stainless steel disk feet fitted as standard
- 100mm splashback (600 series) or 150mm splashback with beveled edge (700 series)
- Vermin proofing included behind upstand with pre-drilled holes for fixing bench to rear wall
- Fully welded and polished bowls - 450 x 450 x 300 deep (60 litres, used on 1200, 1500, 1800 & 2100 models) 600 x 450 x 300 deep (81 litres, used on 2400 model)
- 1800, 2100 & 2400 models supplied with six legs as standard
- **Pre-punched waste hole to suit 90mm waste, supplied with Watermark approved commercial grade basket arrestor sink waste**
- Supplied flat packed ready for assembly



# INDUSTRY KITCHENS

### General Drawing:

[www.industrykitchens.com.au](http://www.industrykitchens.com.au) 1800 611 058



### Specifications

Product Code	W x D x H (mm)	Unit Weight (Kg)	Load Capacity (Kg)
<b>SS06.1200</b>	1200 x 600 x 900	37	80
<b>SS06.1500</b>	1500 x 600 x 900	42	80
<b>SS06.1800</b>	1800 x 600 x 900	49	120
<b>SS06.2100</b>	2100 x 600 x 900	51	160
<b>SS06.2400</b>	2400 x 600 x 900	57	160
<b>SS01.7.1200</b>	1200 x 700 x 900	40	80
<b>SS01.7.1500</b>	1500 x 700 x 900	45	80
<b>SS01.7.1800</b>	1800 x 700 x 900	54	120
<b>SS01.7.2100</b>	2100 x 700 x 900	58	160
<b>SS01.7.2400</b>	2400 x 700 x 900	63	160

Due to continuous product research and development, the information contained herein is subject to change without notice.

Revision: B - 23/08/2024 - 04

[www.stoddart.com.au](http://www.stoddart.com.au)

