

### Product Information:

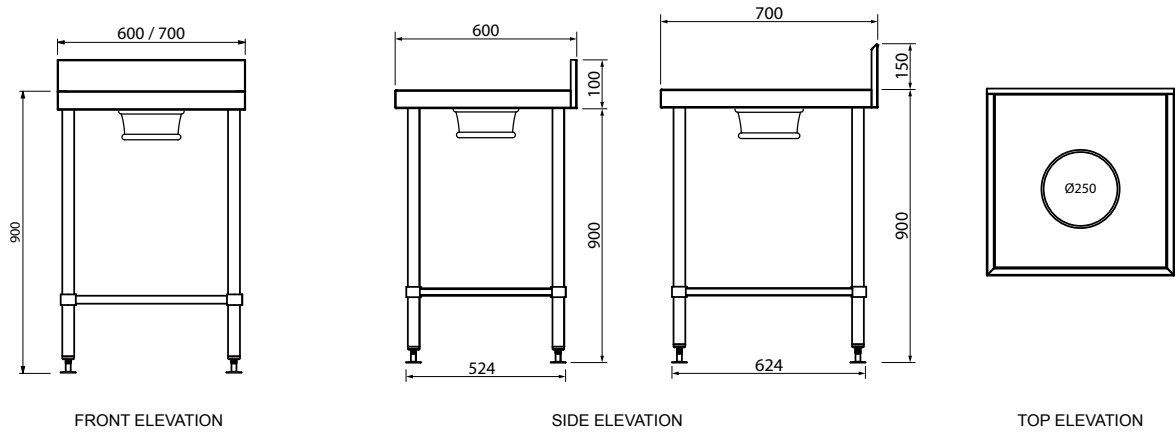
- Bench with 250mm wide rubber scrape hole
- 1.2mm thick 304 stainless steel top
- Stainless steel top hat stiffening
- 38mm diameter round stainless steel tube legs, 1.2mm thick with adjustable disk feet
- Supplied with leg brace as standard, for rubbish bin to sit underneath bench
- 100mm splashback (600 series) or 150mm splashback with beveled edge (700 series)
- Vermin proofing included behind upstand with pre-drilled holes for fixing bench to rear wall
- Supplied flat packed ready for assembly



# INDUSTRY KITCHENS

[www.industrykitchens.com.au](http://www.industrykitchens.com.au) 1800 611 058

### General Drawing:



### Specifications:

Product Code	W x D x H (mm)	Unit Weight (Kg)	Load Capacity (Kg)
SS05.SH.0600	600 x 600 x 900	20	100
SS05.SH.7.0600	600 x 700 x 900	22	120