

Product Information:

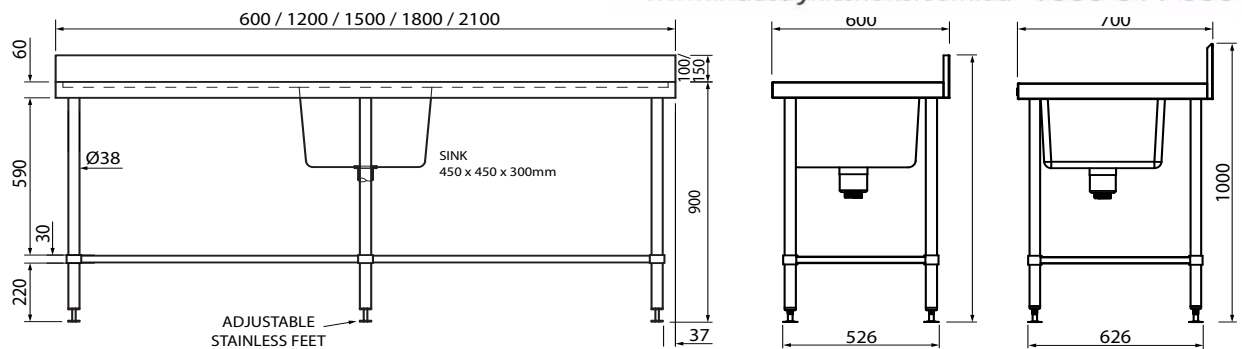
- Wet bench with fabricated sink bowl
- 1.2mm thick 304 stainless steel top
- Stainless steel top hat stiffening
- 38mm diameter round stainless steel tube legs, 1.2mm thick
- Adjustable stainless steel disk feet fitted as standard (1800 & 2100 models supplied with six legs as standard)
- 19mm diameter stainless steel tube under-shelf, 1.2mm thick
- 100mm splashback (600 series)
- Vermin proofing included behind upstand with pre-drilled holes for fixing bench to rear wall
- Fully welded and polished bowls - 450 x 450 x 300 deep (60 litres) (600mm wide bowl for 900mm wide bench)
- Bowl available Left, Right or Centre of bench - please specify L, R or C on order
- For the suitability of fitting a dishwasher underneath sink benches supplied with leg braces, contact your dealer representative
- **Pre-punched waste hole to suit 90mm waste, supplied with Watermark approved commercial grade basket arrestor sink waste**
- Supplied flat packed ready for assembly



INDUSTRY KITCHENS

www.industrykitchens.com.au 1800 611 058

General Drawing:



Specifications

Product Code	W x D x H (mm)	Unit Weight (Kg)	Load Capacity (Kg)
SS05.0600	600 x 600 x 900	24	40
SS05.0900.PW	900 x 600 x 900	28	80
SS05.1200 (L,C,R)	1200 x 600 x 900	34	120
SS05.1500 (L,C,R)	1500 x 600 x 900	38	160
SS05.1800 (L,C,R)	1800 x 600 x 900	45	200
SS05.2100 (L,C,R)	2100 x 600 x 900	49	240
SS05.7.0600	600 x 700 x 900	27	40
SS05.7.0900.PW	900 x 700 x 900	31	40
SS05.7.1200 (L,C,R)	1200 x 700 x 900	36	120
SS05.7.1500 (L,C,R)	1500 x 700 x 900	40	160
SS05.7.1800 (L,C,R)	1800 x 700 x 900	51	200
SS05.7.2100 (L,C,R)	2100 x 700 x 900	56	240

*L - Left bowl configuration
 *C - Centre bowl configuration
 *R - Right bowl configuration
 *PW - Large Centre bowl configuration

Due to continuous product research and development, the information contained herein is subject to change without notice.

Revision: B - 23/08/2024 - 04

www.stoddart.com.au

