

Product Information:

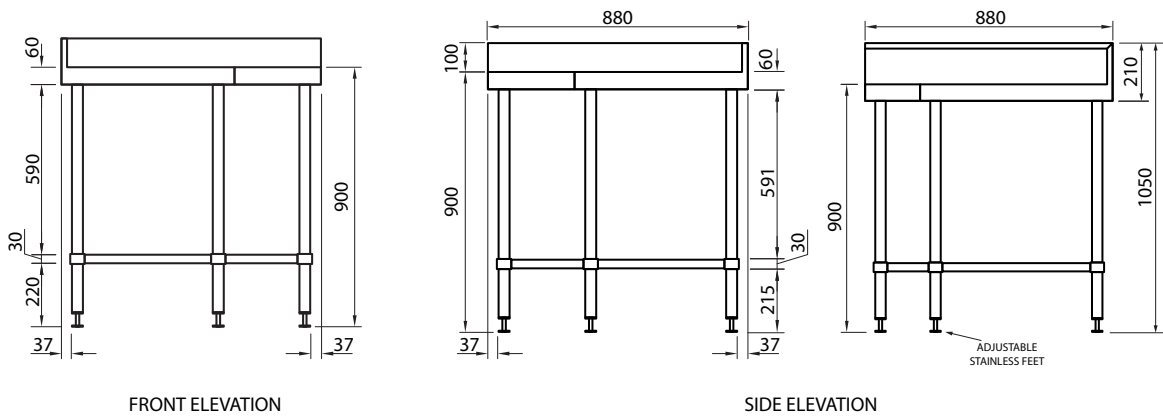
- Corner bench for use with 600 or 700mm depth benches
- 1.2mm thick stainless steel top
- 3mm zincalume coated steel reinforced backing to work top
- 38mm diameter stainless steel tube legs, 1.2mm thick
- Adjustable stainless steel disk feet fitted as standard
- 1.2mm thick stainless steel under-shelf with top hat stiffening
- 100mm splashback (600 series) or 150mm splashback with beveled edge (700 series)
- Vermin proofing included behind up stand with pre-drilled holes for fixing bench to rear wall
- Supplied flat packed ready for assembly



INDUSTRY KITCHENS

www.industrykitchens.com.au 1800 611 058

General Drawing:



Specifications:

Product Code	W x D x H (mm)	Unit Weight (Kg)	Load Capacity (Kg)
SS04.0900	900 x 600 x 900	45	350
SS04.7.0900	900 x 700 x 900	52	350