

**Product Information:**

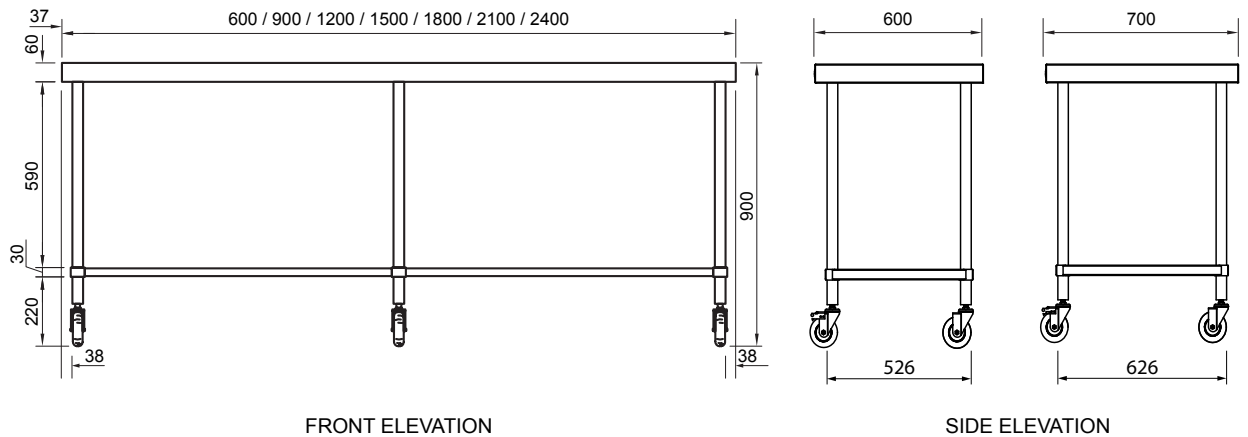
- Flat topped work bench with castors, available in 600mm or 700mm depth, with 100mm diameter swivel castors with two locking
- 1.2mm thick 304 stainless steel top
- 3mm zincalume steel reinforced backing to work top
- 1.2mm thick stainless steel under-shelf with top hat stiffening
- 38mm diameter round stainless steel tube legs, 1.2mm thick
- 1800, 2100 & 2400mm length units supplied with 6 legs
- Supplied flat packed ready for assembly



# INDUSTRY KITCHENS

[www.industrykitchens.com.au](http://www.industrykitchens.com.au) 1800 611 058

**General Drawing:**



**Specifications**

Product Code	W x D x H (mm)	Unit Weight (Kg)	Load Capacity (Kg)
SS03.0600	600 x 600 x 900	27	150
SS03.0900	900 x 600 x 900	33	190
SS03.1200	1200 x 600 x 900	43	320
SS03.1500	1500 x 600 x 900	50	360
SS03.1800	1800 x 600 x 900	64	400
SS03.2100	2100 x 600 x 900	72	440
SS03.2400	2400 x 600 x 900	80	480
SS03.7.0600	600 x 700 x 900	29	160
SS03.7.0900	900 x 700 x 900	37	200
SS03.7.1200	1200 x 700 x 900	47	320
SS03.7.1500	1500 x 700 x 900	57	360
SS03.7.1800	1800 x 700 x 900	71	400
SS03.7.2100	2100 x 700 x 900	80	440
SS03.7.2400	2400 x 700 x 900	91	480

Due to continuous product research and development, the information contained herein is subject to change without notice.

Revision: B - 23/08/2024 - 04

