

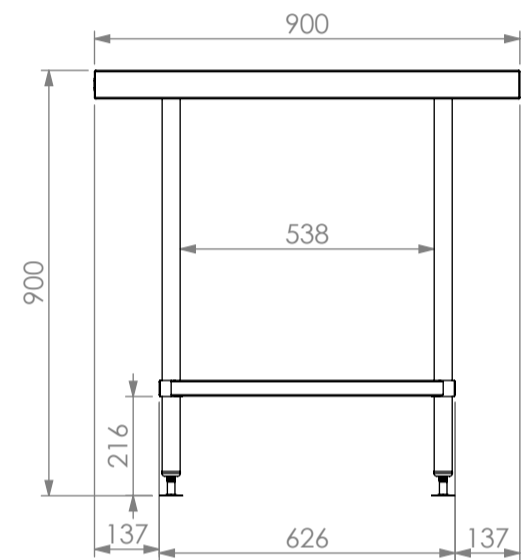

01-7-1500

*Units 600mm to 1500mm have 4 legs

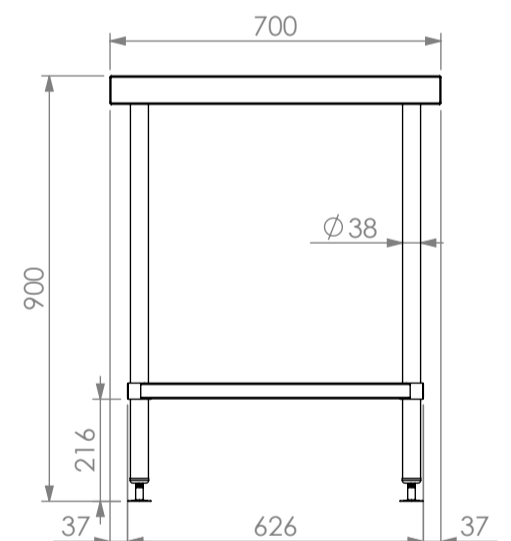

01-7-1800

* Units 1800mm to 2400mm have 6 legs.

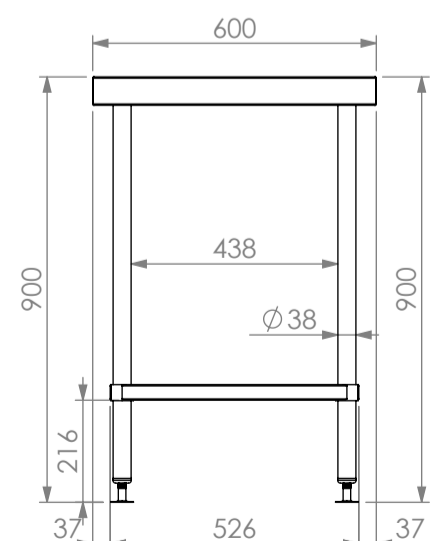
SPECIFICATION	
Tops	- High quality 304 grade stainless steel. - 1.2mm gauge, no. 4 Finnish. - Studs under for fixing accessories.
Core	- 3mm zinc anneal. - Marine grade protective paint .
Frames	- Ø38mm round stainless steel tube. - Satin polished. - Machined collars. - Adjustable stainless disc feet.
Undershelves	- High quality stainless steel. - 1.2mm gauge, no. 4 Finnish. - top hat stiffening with channels.



*900mm DEEP MODULE ELEVATION.



*700mm DEEP MODULE ELEVATION.



*600mm DEEP MODULE ELEVATION.

01	Work (Island) Bench			
	Product Code	Dimensions (mm)	Unit weight (Kg)	Load capacity (Kg)
01-6-0600	600x600x900	24.25	150	
01-6-0900	900x600x900	31.57	190	
01-6-1200	1200x600x900	40.18	320	
01-6-1500	1500x600x900	48.2	360	
01-6-1800	1800x600x900	60.37	400	
01-6-2100	2100x600x900	68.45	440	
01-6-2400	2400x600x900	77.32	480	
01-7-0600	600x700x900	27.21	160	
01-7-0900	900x700x900	35.07	200	
01-7-1200	1200x700x900	40.48	320	
01-7-1500	1500x700x900	54.55	360	
01-7-1800	1800x700x900	67.7	400	
01-7-2100	2100x700x900	77.5	440	
01-7-2400	2400x700x900	86.7	480	
01-9-1200	1200x900x900	90.8	320	
01-9-1500	1500x900x900	64.23	360	
01-9-1800	1800x900x900	80.36	400	
01-9-2100	2100x900x900	91.5	440	
01-9-2400	2400x900x900	103	480	