

### Product Information:

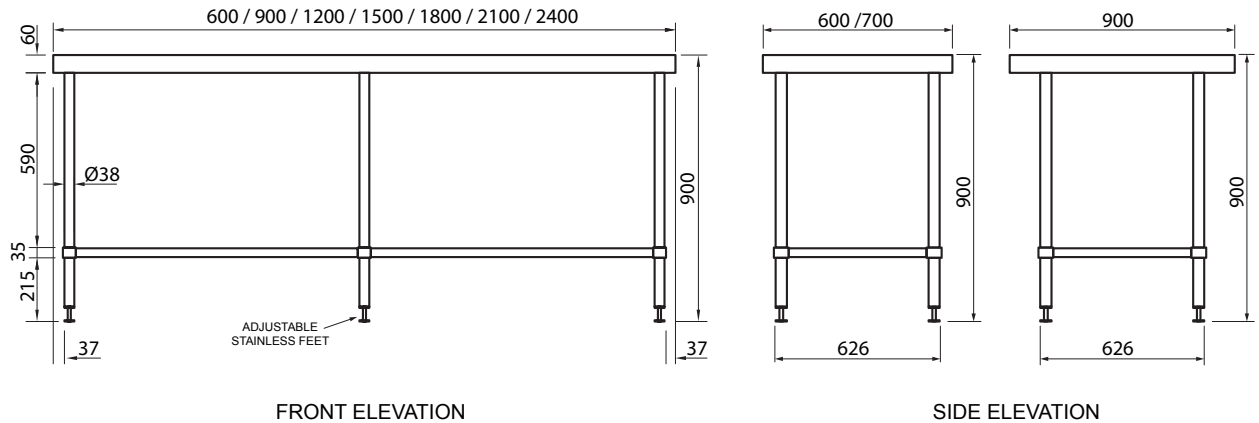
- Suits Flat top work bench available in 600, 700 or 900mm depth
- 1.2mm thick 304 stainless steel top
- 3mm zincalume steel reinforced backing to work top
- 38mm diameter round stainless steel tube legs, 1.2mm thick
- Adjustable stainless steel disk feet fitted as standard
- 1.2mm thick stainless steel under-shelf with top hat stiffening
- 1800, 2100 & 2400mm length units supplied with 6 legs
- Supplied flat packed ready for assembly

# INDUSTRY KITCHENS

www.industrykitchens.com.au 1800 611 058



### General Drawing:



### Specifications

Product Code	W x D x H (mm)	Unit Weight (Kg)	Load Capacity (Kg)	Legs
SS01.0600	600 x 600 x 900	25	150	4 legs
SS01.0900	900 x 600 x 900	32	190	4 legs
SS01.1200	1200 x 600 x 900	41	320	4 legs
SS01.1500	1500 x 600 x 900	49	360	4 legs
SS01.1800	1800 x 600 x 900	61	400	6 legs
SS01.2100	2100 x 600 x 900	69	440	6 legs
SS01.2400	2400 x 600 x 900	78	480	6 legs
SS01.7.0600	600 x 700 x 900	28	160	4 legs
SS01.7.0900	900 x 700 x 900	36	200	4 legs
SS01.7.1200	1200 x 700 x 900	41	320	4 legs
SS01.7.1500	1500 x 700 x 900	55	360	4 legs
SS01.7.1800	1800 x 700 x 900	68	400	6 legs
SS01.7.2100	2100 x 700 x 900	78	440	6 legs
SS01.7.2400	2400 x 700 x 900	87	480	6 legs
SS01.9.1200	1200 x 900 x 900	91	320	4 legs
SS01.9.1500	1500 x 900 x 900	65	360	4 legs
SS01.9.1800	1800 x 900 x 900	81	400	6 legs
SS01.9.2100	2100 x 900 x 900	92	440	6 legs
SS01.9.2400	2400 x 900 x 900	103	480	6 legs

Due to continuous product research and development, the information contained herein is subject to change without notice.

Revision: B - 23/08/2024 - 04

www.stoddart.com.au

