

Trade Waste Solutions



300mm Square Floor Waste Arrestor (suits 100mm pipe)

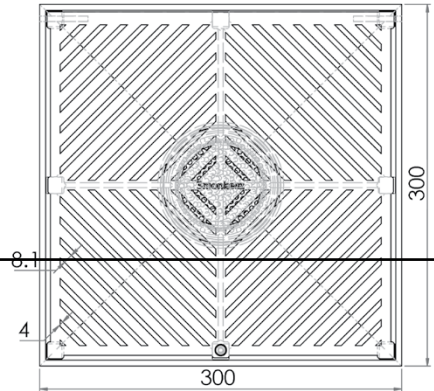


FW-300BS-304

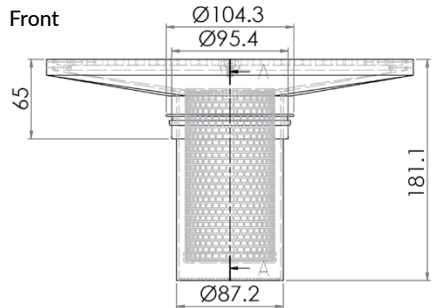
FW-300BS-316

- Hinged grate
- Heel proof
- Fixed strainer
- Removable basket
- 304 or 316 grade stainless steel
- Suits 100mm DWV, HDPE pipe

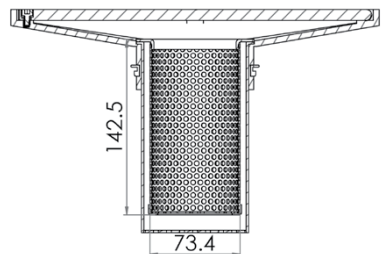
Top



Front



Cross Section



FW-BASKET-100