

Trade Waste Solutions



225mm Square Floor Waste Arrestor (suits 150mm pipe)

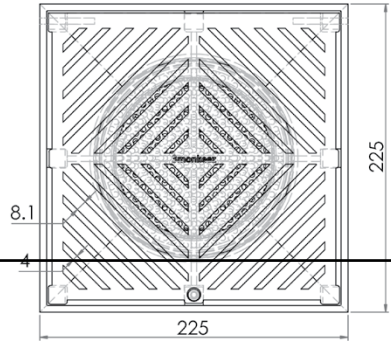


FW-225BS-150-304

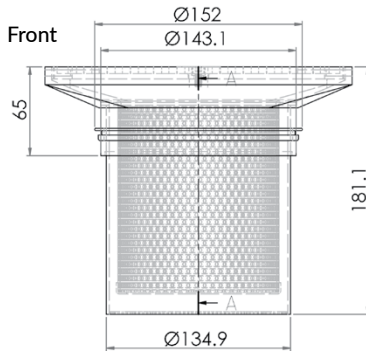
FW-225BS-150-316

- Hinged grate
- Heel proof
- Fixed strainer
- Removable basket
- 304 or 316 grade stainless steel
- Suits 150mm DWV, HDPE pipe

Top



Front



FW-BASKET-150

Cross Section

