

Trade Waste Solutions



200mm Round Vinyl Floor Waste Arrestor (suits 150mm pipe)

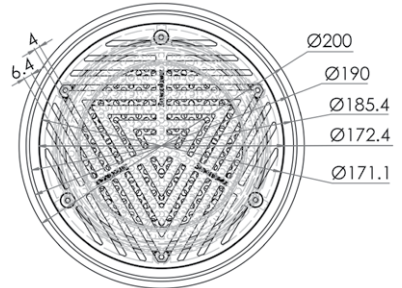


FW-200VRBT-150-304

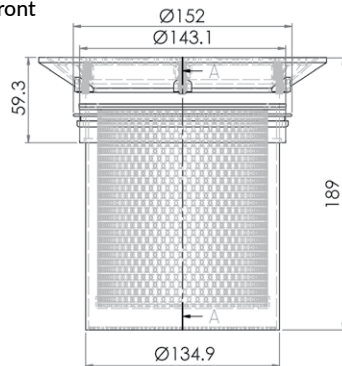
FW-200VRBT-150-316

- Removable Grate
- Heel Proof
- Suits Vinyl Application
- Includes Vinyl Clamp
- Fixed Strainer
- Removable Basket
- 304 or 316 Grade Stainless Steel
- Suits 150mm DWV, HDPE Pipe

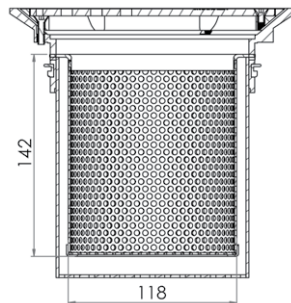
Top



Front



Cross Section



FW-BASKET-150

*Exclusions apply

3monkeez.com.au

