

Trade Waste Solutions



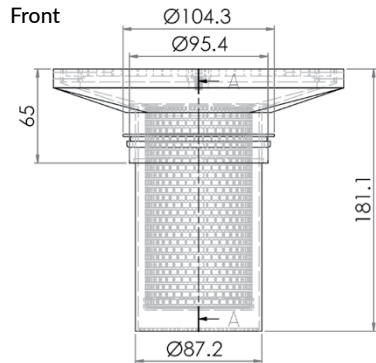
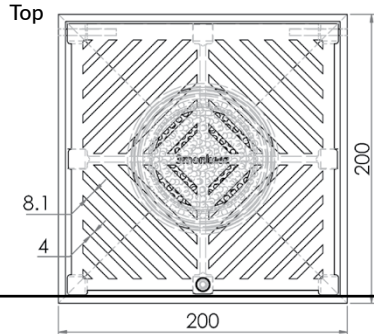
200mm Square Floor Waste Arrestor (suits 100mm pipe)



FW-200BSM-304

FW-200BSM-316

- Hinged grate
- Heel proof
- Fixed strainer
- Removable basket
- 304 or 316 grade stainless steel
- Suits 100mm DWV, HDPE pipe



FW-BASKET-100

Cross Section

