

Trade Waste Solutions



200mm Square Floor Waste Arrestor (suits 100mm pipe)



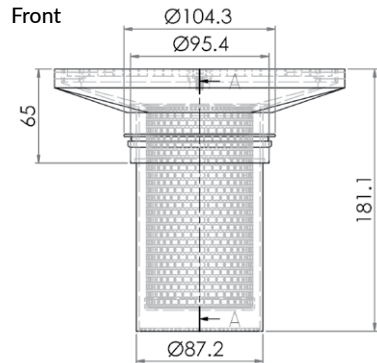
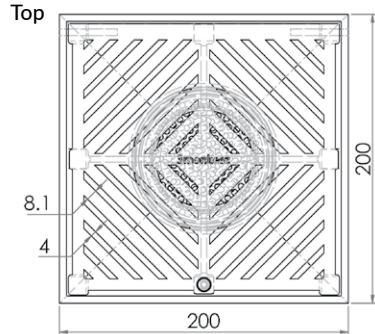
FW-200BSM-304

FW-200BSM-316

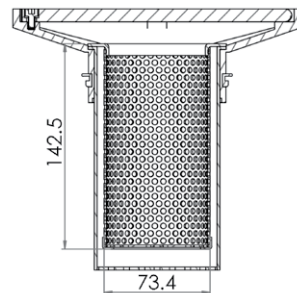
- Hinged Grate
- Heel Proof
- Fixed Strainer
- Removable Basket
- 304 or 316 Grade Stainless Steel
- Suits 100mm DWV, HDPE Pipe



FW-BASKET-100



Cross Section



*Exclusions apply

3monkeez.com.au

