

Trade Waste Solutions



150mm Round Floor Waste Arrestor (suits 100mm pipe)



FW-150BR-304

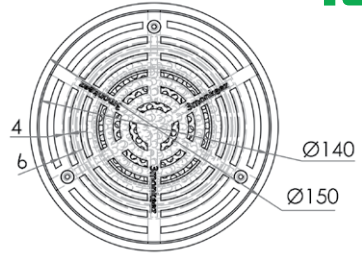
FW-150BR-316

- Removable Grate
- Heel Proof
- Fixed Strainer
- Removable Basket
- 304 or 316 Grade Stainless Steel
- Suits 100mm DWV, HDPE Pipe

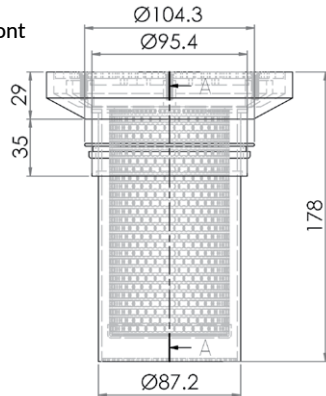


FW-BASKET-100

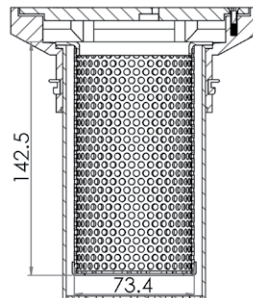
Top



Front



Cross Section



*Exclusions apply

3monkeez.com.au

