

# Trade Waste Solutions



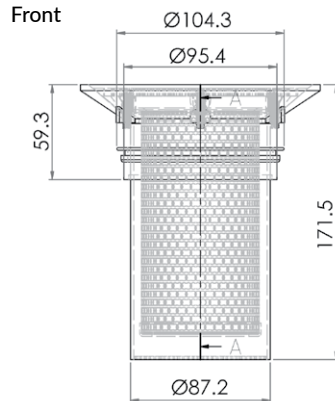
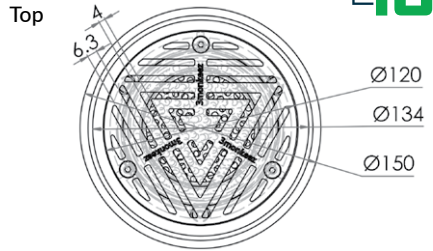
## 150mm Round Vinyl Floor Waste Arrestor (suits 100mm pipe)



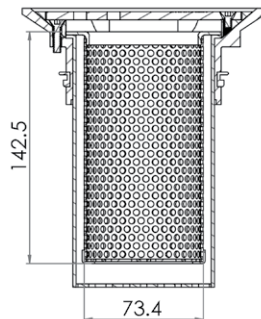
**FW-100VRBT-304**

**FW-100VRBT-316**

- Removable Grate
- Heel Proof
- Suits Vinyl Application
- Includes Vinyl Clamp
- Fixed Strainer
- Removable Basket
- 304 or 316 Grade Stainless Steel
- Suits 100mm DWV, HDPE Pipe



### Cross Section



FW-BASKET-100

\*Exclusions apply

[3monkeez.com.au](http://3monkeez.com.au)

