



VACUUM PACKING MACHINE SU-604GP 230-400/50/3N

Floorstanding unit. 40 m³/h. 413+656 mm.



P/N 1140815



FEATURES AND BENEFITS

- ✓ Powered by Busch.
- ✓ Vacuum controlled by sensor.
- ✓ Vacuum PLUS.
- ✓ LCD colour screen: all information at a glance.
- ✓ Backlit touch keyboard.
- ✓ Programmable: 25-programme memory. Blocking option.
- ✓ "Pause" button.
- ✓ Phased vacuum programme.
- ✓ Detection of the evaporation of liquids.
- ✓ Double seal.
- ✓ Cordless sealing bar.
- ✓ Progressive decompression.
- ✓ Vac-Norm ready with Automatic decompression.
- ✓ Stainless steel body and chamber.
- ✓ Damped transparent lid of high durability polycarbonate.
- ✓ Dry-oil programme for drying the pump.
- ✓ Working hours counter for oil changes.
- ✓ Safety system with protection against vacuum failure.
- ✓ NSF-listed.

SALES DESCRIPTION

- Two sealing bars (413+656 mm.)
- 40 m³/h Busch vacuum pump.
- Vacuum controlled by sensor.

INCLUDES

- ✓ Filling plate
- ✓ Inert gas flush
- ✓ Bluetooth connectivity
- ✓ Printer connection

ACCESSORIES

- Bag cutting kits
- Filling plates
- Liquid insert plates
- Vac-norm external vacuum kits
- Vac-norm containers
- Smooth bags for vacuum packing
- CG2 Desktop printer for SU vacuum packing machines *
- Thermal labels for CG2 printer
- RB Desktop printer for SU vacuum packing machines *
- Thermal transfer labels for printer



sammic | www.sammic.com
Food Service Equipment Manufacturer

Polígono Basarte, 1. phone +34 943 15 72 36
20720 Azkoitia, Spain sales@sammic.com



Project	Date
Item	Qty
Approved	

FOOD PRESERVATION AND SOUS-VIDE
VACUUM PACKING MACHINES - "SENSOR ULTRA" LINE

product sheet
updated 22/03/2019



VACUUM PACKING MACHINE SU-604GP 230-400/50/3N

Floorstanding unit. 40 m³/h. 413+656 mm.



P/N 1140815

SPECIFICATIONS

Pump capacity: 40 m³/h
 Bar length: 413 mm + 656 mm
 Total loading: 1100 W
 Vacuum pressure (maximum): 0.5 mbar
 Electrical supply: 400 V-230 V / 50 Hz / 3N
 ~ (5.9 A)

Internal dimensions

- ✓ Width: 672 mm
- ✓ Depth: 481 mm
- ✓ Height: 200 mm

External dimensions (WxDxH)

- ✓ Width: 740 mm
- ✓ Depth: 566 mm
- ✓ Height: 997 mm

Net weight: 145 Kg

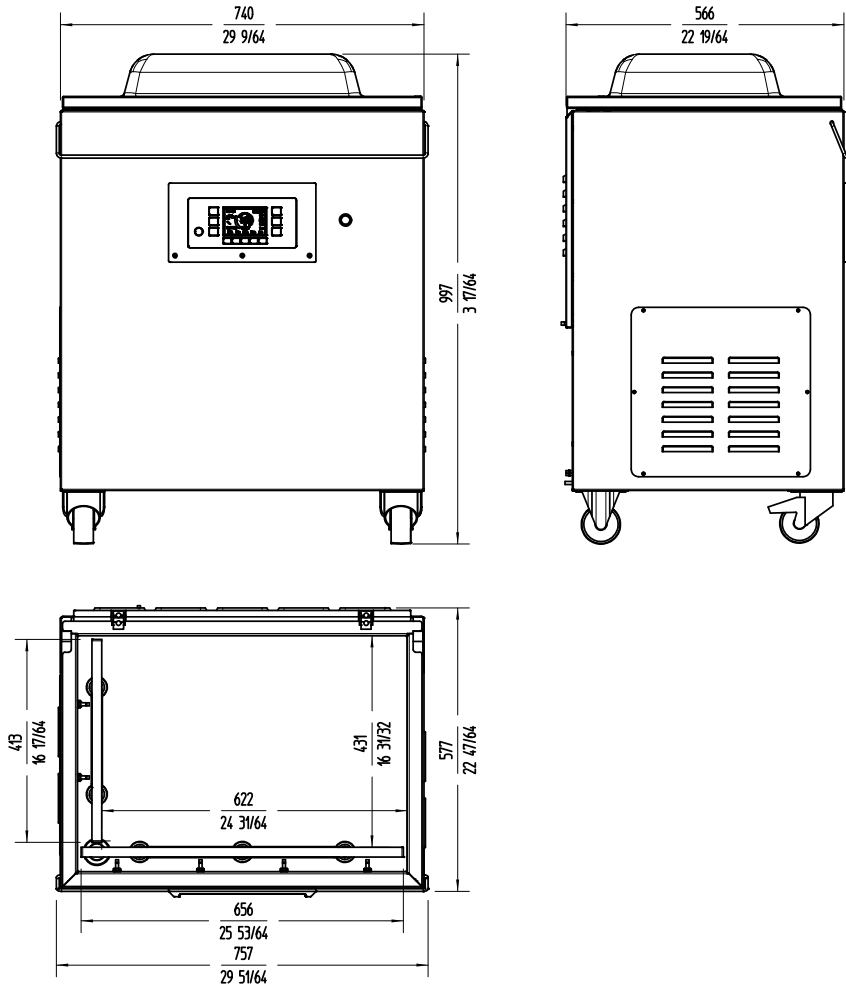
Noise level (1m.): 75 dB(A)

Background noise: 32 dB(A)

Crated dimensions

670 x 830 x 1200 mm

Gross weight: 170.5 Kg.



FOOD PRESERVATION AND SOUS-VIDE
 VACUUM PACKING MACHINES - "SENSOR ULTRA" LINE

sammic | www.sammic.com
 Food Service Equipment Manufacturer

Polígono Basarte, 1. phone +34 943 15 72 36
 20720 Azkoitia, Spain sales@sammic.com



Project	Date
Item	Qty
Approved	

product sheet
 updated 22/03/2019