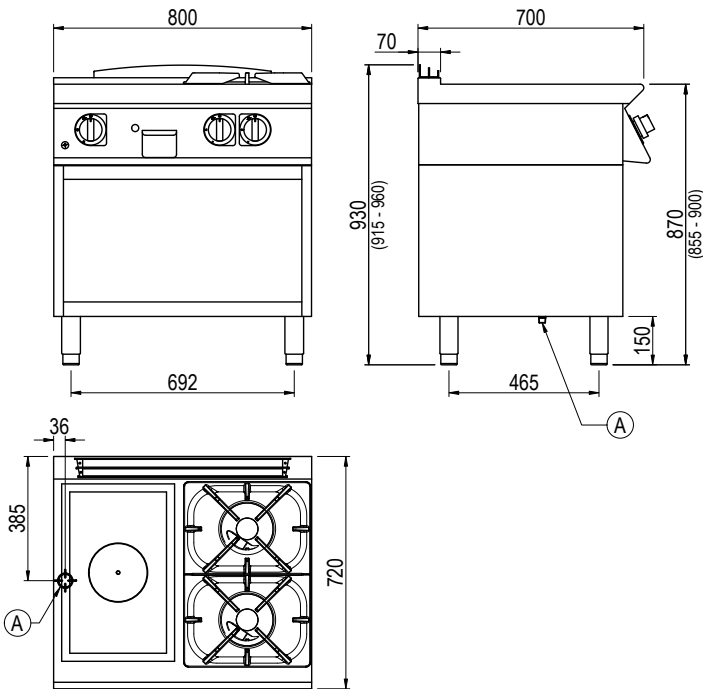




**Product Information:**

- Class leading, European style, professional quality and reliability since 1963
- 700 series, high performance open burners (RHS) (2 x 28.8 MJ/h) combined with an ultra-thick, reinforced radiant plate with central cut-out and high-power circular steel burner (23 MJ/h)
- Black enamelled cast iron trivets; acid, alkaline and flame resistant with extra long fingers to allow use with small and large pots
- Open burners complete with flame failure device and pilot burner, both heavily protected against accidental impact and overflows
- Piezo ignition circular burner with flame failure device and pilot burner capable of reaching 500°C at the centre of the plate and 200°C around the edges
- Temperature regulation via variable power flame control
- Robust 304 grade stainless steel construction with rounded corners for improved cleaning
- Removable grease tray
- Open base with optional doors available (SPGI.2016437)
- Height adjustable stainless steel feet for a 900mm working height
- 24-month warranty

**General Drawing:**



**Specifications:**

|                               |                  |
|-------------------------------|------------------|
| <b>Model</b>                  | TG74GTRT         |
| <b>W x D x H (mm)</b>         | 800 x 720 x 930  |
| <b>Weight</b>                 | 110kg            |
| <b>Plate Dimensions (mm)</b>  | 300 x 500        |
| <b>Packed Dimensions (mm)</b> | 845 x 825 x 1200 |
| <b>Packed Weight (mm)</b>     | 120kg            |

|   | Natural   | Universal LPG |
|---|-----------|---------------|
| <b>Gas Connection</b>                   | 1/2" BSP  | 1/2" BSP      |
| <b>Minimum Normal Test Gas Pressure</b> | 1.3 kPa   | 2.75 kPa      |
| <b>Maximum Normal Test Gas Pressure</b> | 3.5 kPa   | 3.5 kPa       |
| <b>Nominal Test Point Pressure</b>      | 1.0 kPa   | 2.65 kPa      |
| <b>Total Nominal Gas Consumption</b>    | 80.6 MJ/h | 80.6 MJ/h     |

**Note:** It is the responsibility of the installing gas plumber to ensure correct supply and connection sustaining appropriate pressure, when all installed gas appliances are operating at maximum.

**Legend:**

A Gas Connection