

TG720TT

Solid Target Top - Gas / Countertop

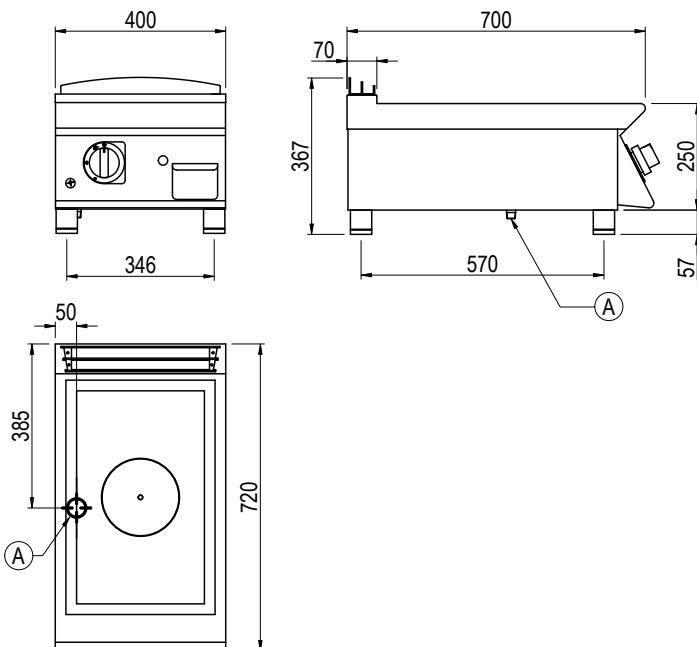
700



Product Information:

- Class leading, European style, professional quality and reliability since 1963
- 700 series, ultra-thick, reinforced radiant plate with central cut-out and high-power circular steel burner (23 MJ/h)
- Piezo ignition circular burner with flame failure device and pilot burner capable of reaching 500°C at the centre of the plate and 200°C around the edges
- Temperature regulation via variable power flame control
- Robust 304 grade stainless steel construction with rounded corners for improved cleaning
- Removable grease tray
- 24-month warranty

General Drawing:



Specifications:

Model	TG720TT	
W x D x H (mm)	400 x 720 x 367	
Weight	50kg	
Plate Dimensions (mm)	300 x 500	
Packed Dimensions (mm)	450 x 825 x 570	
Packed Weight (mm)	55kg	

	Natural	Universal LPG
Gas Connection	1/2" BSP	1/2" BSP
Minimum Normal Test Gas Pressure	1.3 kPa	2.75 kPa
Maximum Normal Test Gas Pressure	3.5 kPa	3.5 kPa
Nominal Test Point Pressure	1.0 kPa	2.65 kPa
Total Nominal Gas Consumption	23 MJ/h	23 MJ/h

Note: It is the responsibility of the installing gas plumber to ensure correct supply and connection sustaining appropriate pressure, when all installed gas appliances are operating at maximum.

Legend:

A Gas Connection

Due to continuous product research and development, the information contained herein is subject to change without notice.

Revision: A - 27/06/2022 - 02

www.stoddart.com.au

www.stoddart.co.nz

