

**TG720GT**

Solid Target Top - Gas / Open Base

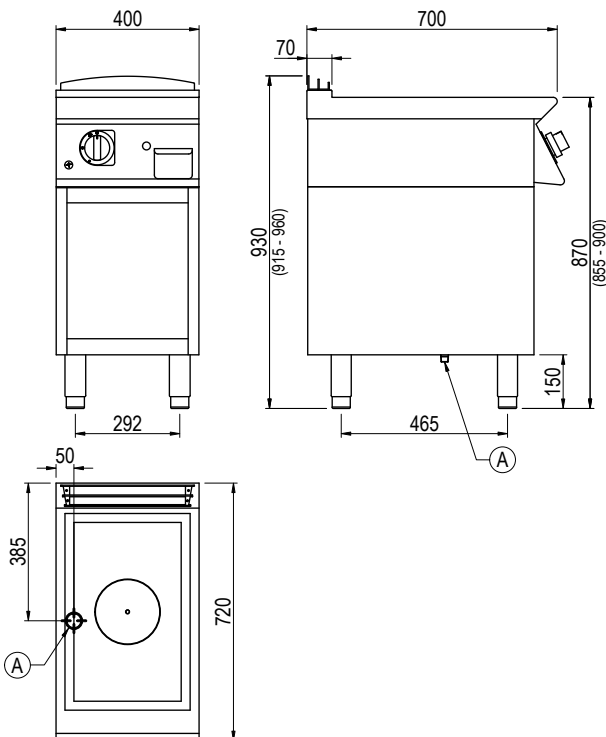
**700**



**Product Information:**

- Class leading, European style, professional quality and reliability since 1963
- 700 series, ultra-thick, reinforced radiant plate with central cut-out and high-power circular steel burner (23 MJ/h)
- Piezo ignition circular burner with flame failure device and pilot burner capable of reaching 500°C at the centre of the plate and 200°C around the edges
- Temperature regulation via variable power flame control
- Robust 304 grade stainless steel construction with rounded corners for improved cleaning
- Removable grease tray
- Open base with optional door available (SPGI.2016437)
- Height adjustable stainless steel feet for a 900mm working height
- 24-month warranty

**General Drawing:**



**Specifications:**

<b>Model</b>	TG720GT	
<b>W x D x H (mm)</b>	400 x 720 x 930	
<b>Weight</b>	60kg	
<b>Plate Dimensions (mm)</b>	300 x 500	
<b>Packed Dimensions (mm)</b>	450 x 825 x 1200	
<b>Packed Weight (mm)</b>	65kg	
<b>Gas Connection</b>	Natural 1/2" BSP	Universal LPG 1/2" BSP
<b>Minimum Normal Test Gas Pressure</b>	1.3 kPa	2.75 kPa
<b>Maximum Normal Test Gas Pressure</b>	3.5 kPa	3.5 kPa
<b>Nominal Test Point Pressure</b>	1.0 kPa	2.65 kPa
<b>Total Nominal Gas Consumption</b>	23 MJ/h	23 MJ/h

**Note:** It is the responsibility of the installing gas plumber to ensure correct supply and connection sustaining appropriate pressure, when all installed gas appliances are operating at maximum.

**Legend:**

A Gas Connection

Due to continuous product research and development, the information contained herein is subject to change without notice.

Revision: A - 27/06/2022 - 02

www.stoddart.com.au

www.stoddart.co.nz

