

FLE72GFT

Frytop - Electric, Mild Steel, Smooth Plate / Open Base

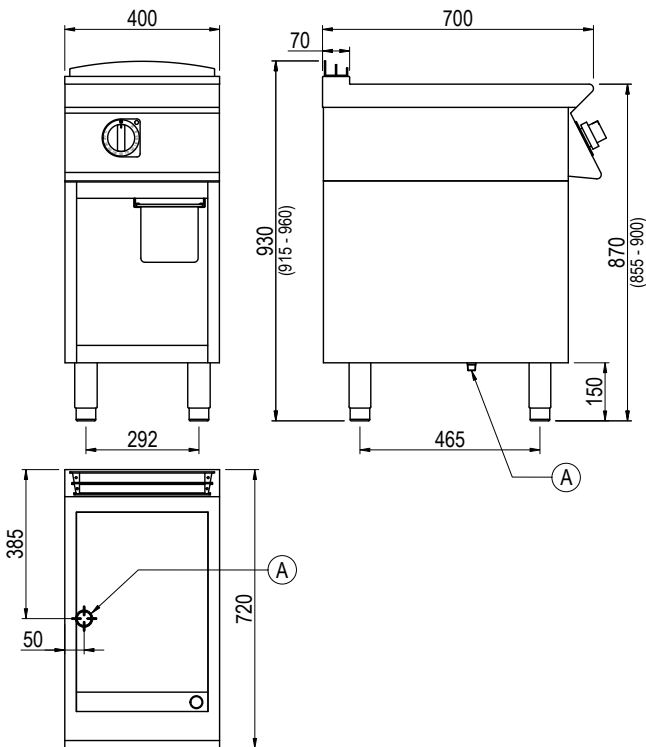
700



Product Information:

- Class leading, European style, professional quality and reliability since 1963
- 700 series, electric frytop with 12mm smooth mild steel plate (6.5kW)
(also available in 12mm ribbed mild steel plate)
- Heating elements with Hi-limit temperature protection
- Temperature regulation via thermostat (80°C – 290°C)
- Indicator light to monitor the correct operation of the appliance
- Robust 304 grade stainless steel construction with rounded corners for improved cleaning
- Hermetically sealed, pressed work surface with raised edges to protect from overflow
- Removable 1/3 GN grease tray
- Open base with optional door available (SPGI.2016437)
- Height adjustable stainless steel feet for a 900mm working height
- 24-month warranty

General Drawing:



Specifications:

| | |
|-------------------------------|-------------------------------------|
| Model - Smooth | FLE72GFT |
| Model - Ribbed | FRE72GFT |
| W x D x H (mm) | 400 x 720 x 930 |
| Weight | 60kg |
| Cooktop (mm) | 340 x 460 |
| Packed Dimensions (mm) | 450 x 825 x 1200 |
| Packed Weight (mm) | 65kg |
| Electrical Connection | 3Ø + N + E 415VAC / 50Hz / 6.5kW |

Legend:

A Electrical Connection

Due to continuous product research and development, the information contained herein is subject to change without notice.

Revision: A - 08/08/2022 - 02

www.stoddart.com.au

www.stoddart.co.nz

