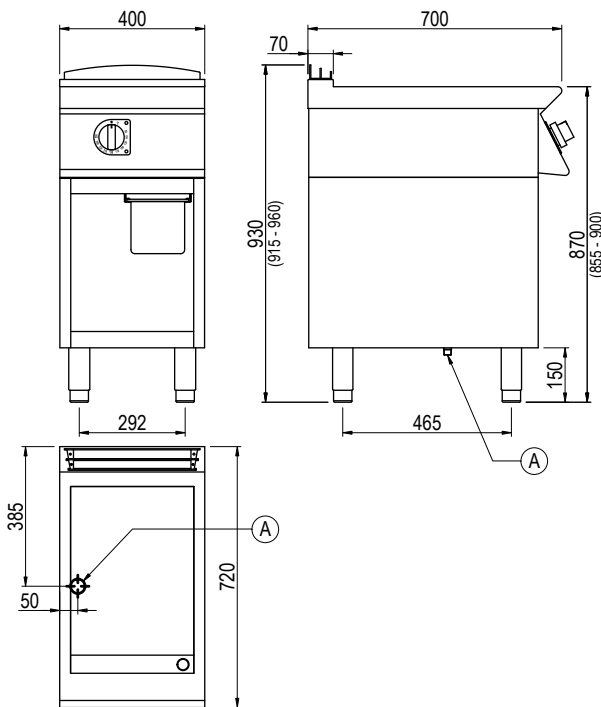




**Product Information:**

- Class leading, European style, professional quality and reliability since 1963
- 700 series, electric frytop with 15mm smooth satin chrome plate (6.5kW) (also available in 15mm ribbed satin chrome plate)
- Satin chrome plate delivers a cost effective, highly durable, faster heating and easier cleaning solution than alternative plates
- Heating elements with Hi-limit temperature protection
- Temperature regulation via thermostat (80°C – 290°C)
- Indicator light to monitor the correct operation of the appliance
- Robust 304 grade stainless steel construction with rounded corners for improved cleaning
- Hermetically sealed, pressed work surface with raised edges to protect from overflow
- Removable 1/3 GN grease tray
- Open base with optional door available (SPGI.2016437)
- Height adjustable stainless steel feet for a 900mm working height
- 24-month warranty

**General Drawing:**



**Specifications:**

|                        |                                     |
|------------------------|-------------------------------------|
| Model - Smooth         | FLE72GCRXT                          |
| Model - Ribbed         | FRE72GCRXT                          |
| W x D x H (mm)         | 400 x 720 x 930                     |
| Weight                 | 60kg                                |
| Cooktop (mm)           | 340 x 460                           |
| Packed Dimensions (mm) | 450 x 825 x 1200                    |
| Packed Weight (mm)     | 65kg                                |
| Electrical Connection  | 3Ø + N + E<br>415VAC / 50Hz / 6.5kW |

**Legend:**

A Electrical Connection

