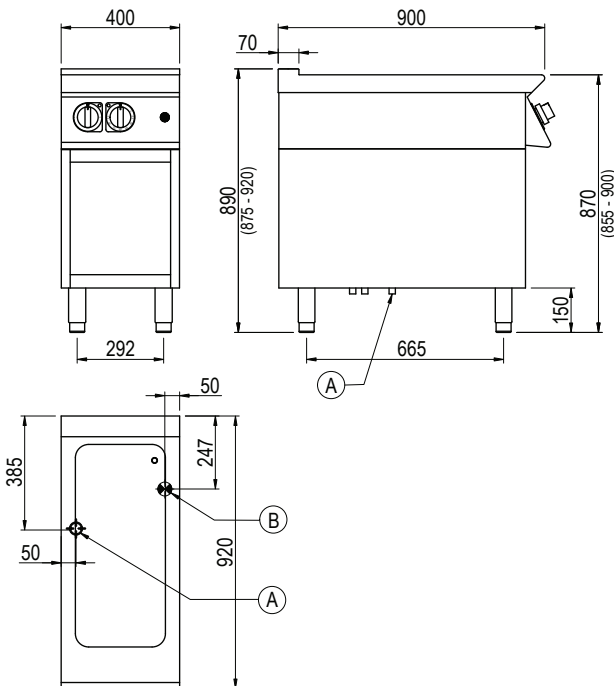




**Product Information:**

- Class leading, European style, professional quality and reliability since 1963
- 900 series, electric 1/1 + 1/3 GN Bain Marie (1.8kW)
- Silicone heating pad external to the tank provides uniform heating, superior hygiene and ease of cleaning
- Temperature regulation via thermostat (30°C - 90°C)
- Indicator lights to monitor the correct operation of the appliance
- Manual water fill with tank sloped to solenoid valve operated drain
- Robust 304 grade stainless steel construction with rounded corners for improved cleaning
- Open base with optional doors available (SPGI.2016437)
- Height adjustable stainless steel feet for a 900mm working height
- 24-month warranty

**General Drawing:**



**Specifications:**

<b>Model</b>	BM920ET
<b>W x D x H (mm)</b>	400 x 920 x 890
<b>Weight</b>	62kg
<b>Capacity</b>	1 x 1/1 + 1/3 150mm GN Pans
<b>Packed Dimensions (mm)</b>	450 x 1025 x 1200
<b>Packed Weight</b>	69kg
<b>Electrical Connection</b>	1Ø + N + E 240VAC / 50Hz / 1.8kW 10A plug & lead fitted

**Legend:**

- A** Electrical Connection
- B** Drain Connection 1/2" BSP

