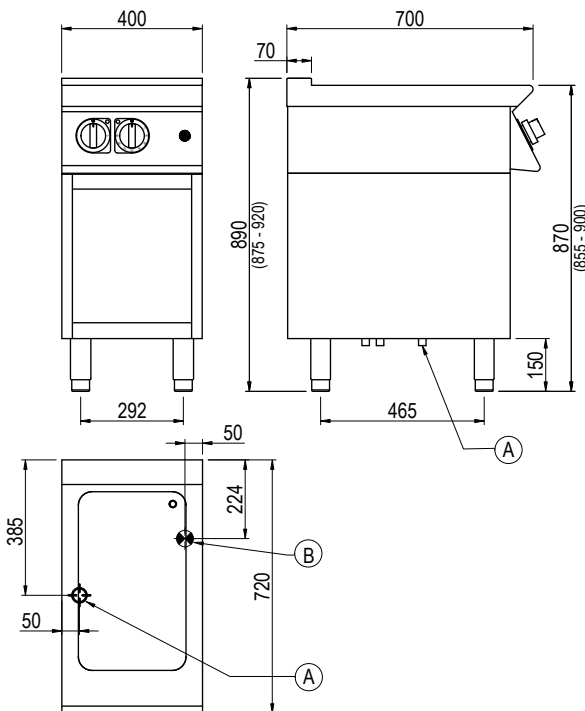




Product Information:

- Class leading, European style, professional quality and reliability since 1963
- 700 series, electric 1/1 GN Bain Marie (1.2kW)
- Silicone heating pad external to the tank provides uniform heating, superior hygiene and ease of cleaning
- Temperature regulation via thermostat (30°C - 90°C)
- Indicator lights to monitor the correct operation of the appliance
- Manual water fill with tank sloped to solenoid valve operated drain
- Robust 304 grade stainless steel construction with rounded corners for improved cleaning
- Open base with optional door available (SPGI.2016437)
- Height adjustable stainless steel feet for a 900mm working height
- 24-month warranty

General Drawing:



Specifications:

Model	BM720ET
W x D x H (mm)	400 x 720 x 890
Weight	40kg
Capacity	1 x 1/1 150mm GN Pans
Packed Dimensions (mm)	450 x 825 x 1200
Packed Weight	45kg
Electrical Connection	1Ø + N + E 240VAC / 50Hz / 1.2kW 10A plug & lead fitted

Legend:

- A** Electrical Connection
- B** Drain Connection 1/2" BSP

Due to continuous product research and development, the information contained herein is subject to change without notice.

Revision: 01 - 04/01/2022 - A

www.stoddart.com.au

www.stoddart.co.nz

