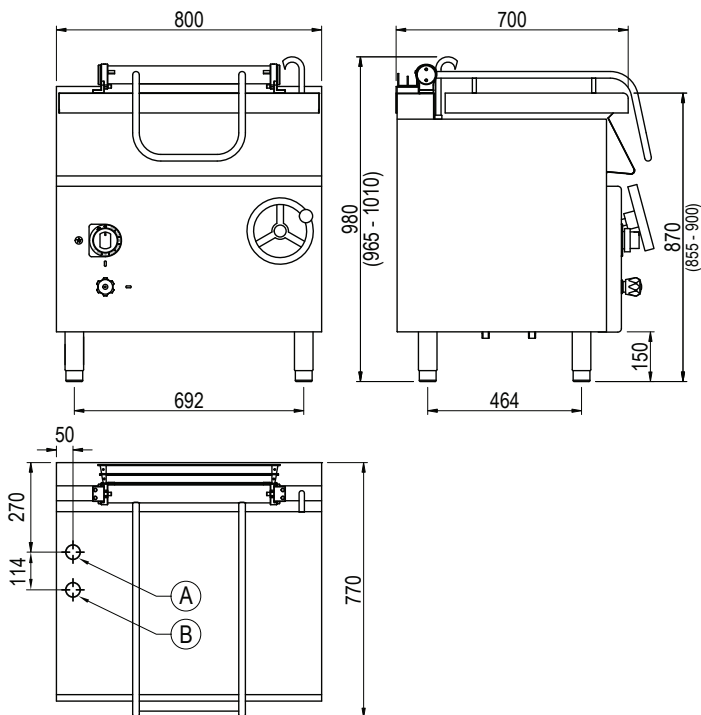




**Product Information:**

- Class leading, European style, professional quality and reliability since 1963
- 700 series, high performance gas bratt pan with 50 litre capacity and manual tilting pan (43.2 MJ/h)
- Duplex 2304 10mm thick stainless steel base for superior heat transfer, strength and corrosion resistance
- Piezo ignition tubular burners with flame failure device and pilot burner complete with HI-limit temperature protection
- Temperature regulation via thermostat (50°C - 300°C)
- Heating shut-off via micro-switch when the pan is tilted
- Water fill via integrated valve and spout
- Double skinned, counterbalanced lid with rear condensation channel
- Robust 304 grade stainless steel construction with rounded corners for improved cleaning
- Height adjustable stainless steel feet for a 900mm working height
- 24-month warranty

**General Drawing:**



**Specifications:**

<b>Model</b>	BG74XMT	
<b>W x D x H (mm)</b>	800 x 770 x 980	
<b>Weight</b>	160kg	
<b>Capacity</b>	50L	
<b>Packed Dimensions (mm)</b>	845 x 825 x 1200	
<b>Packed Weight (mm)</b>	170kg	
<b>Gas Connection</b>	Natural 1/2" BSP	Universal LPG 1/2" BSP
<b>Minimum Normal Test Gas Pressure</b>	1.3 kPa	2.75 kPa
<b>Maximum Normal Test Gas Pressure</b>	3.5 kPa	3.5 kPa
<b>Nominal Test Point Pressure</b>	1.0 kPa	2.65 kPa
<b>Total Nominal Gas Consumption</b>	43.2 MJ/h	43.2 MJ/h

**Note:** It is the responsibility of the installing gas plumber to ensure correct supply and connection sustaining appropriate pressure, when all installed gas appliances are operating at maximum.

**Legend:**

- A** Gas Connection
- B** Water Connection 1/2" BSP