

# SILO



## S220

Ice Bin for Modular Ice Machines

**SKOPE**

**ITV** |   
ICE makers

**INDUSTRY  
KITCHENS**

www.industrykitchens.com.au 1800 611 058

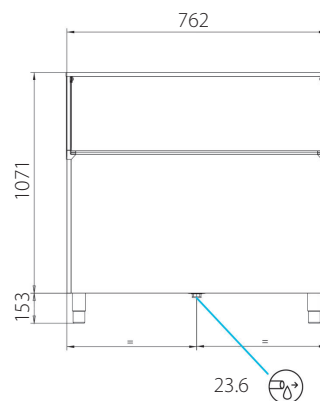
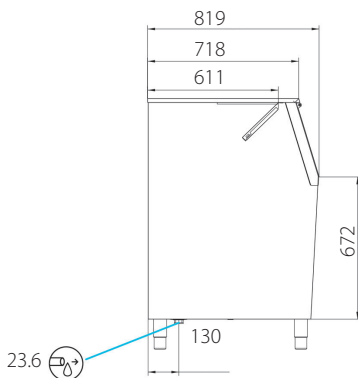


### Features



- 230kg ice storage capacity
- Strong solid AISI 304 stainless steel box-type frame
- Very hard sanitary polyethylene vat, resistant to blows and scratches
- Easy cleaning design: seamless one-piece vat with rounded corners, avoiding possible dirty points and facilitating cleaning
- Drainage system that collects and drives the water to the drain keeping the bin clean and dry

### Machine Specifications



<b>Machine dimensions</b>	762 x 819 x 1071mm
<b>Packed dimensions</b>	850 x 890 x 1210mm
<b>Weight</b>	56kg
<b>Floor area</b>	0.92m <sup>2</sup>
<b>Storage bin capacity</b>	230kg

### Supplied Accessories



Water Inlet  
Hose



Drain Hose



Drainage  
Elbow



Large  
Scoop



4 Height  
Adjustable  
Leg Kit

### Water Filter

A Watermark approved\* water filter, suitable for the water type at the place of installation must be used. SKOPE can provide a water filter that protects the Ice Maker, and ensures proper function and high quality ice production. Service or repair due to absence of a suitable water filter will not be covered by SKOPE warranty. Contact SKOPE for more information.

\*Watermark approval is only applicable to Australian installations. Elsewhere, a suitable water filter must be used