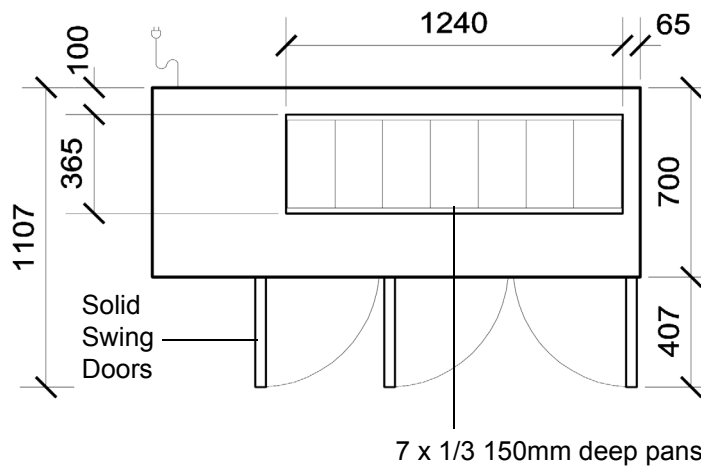


# specifications

## PG400Prep-2

SKOPE Gen2 Pegasus Horizontal 1/1  
INTEGRAL 3 Door Prep Chiller (JH7303)



### CABINET DIMENSIONS

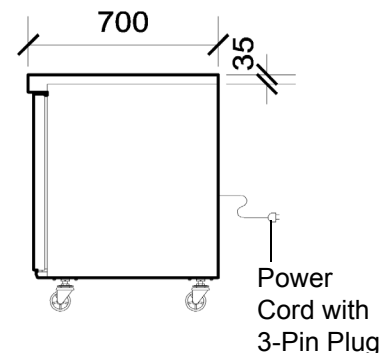
	External	Internal
Height:	751mm*	570mm
Width:	1799mm	1301mm
Depth:	700mm	545mm
Floor area:	1.26m <sup>2</sup>	

\* Height excludes castors or legs.

**INDUSTRY  
KITCHENS**

[www.industrykitchens.com.au](http://www.industrykitchens.com.au) 1800 611 058

Electronic Controller



Copyright © 2008 SKOPE Industries Limited

### CABINET SPECIFICATIONS

<b>Refrigeration system:</b>	Electronic controlled, side mounted, integral refrigeration unit
<b>Electronic controller:</b>	CAREL ir33 electronic controller
<b>Refrigerant:</b>	R134a / 800g
<b>Nominal capacity:</b>	706 Watts
<b>Cabinet internal volume:</b>	410 litres
<b>Insulation:</b>	60mm thick, high density cyclo-isopentane polyurethane foam
<b>Cabinet temperature range:</b>	+1°C to +5°C up to 30°C ambient
<b>Drainage:</b>	No plumbing required
<b>Electrical:</b>	230-240 Volts a.c. 50 Hz, 5.09 Amps
<b>Internal lighting:</b>	2 x 5W T8 LED tubes (Ø26 x 360mm) - Door activated
<b>Internal door opening size:</b>	3 door openings: 570mm high x 365mm wide
<b>Doors:</b>	Solid stainless steel, self-closing doors (with key lock) - LH & RH hinged
<b>Worktop:</b>	Worktop accepts 7 x 1/3 150mm deep pans or 14 x 1/6 150mm deep pans
<b>Shelves:</b>	Two levels of non-tip, adjustable tray slides and/or shelves per door
<b>Weight:</b>	175 kg

SKOPE Industries Limited reserve the right to alter specifications without notice.

PSS0191 Rev 5.0 Jul. 2014



**SKOPE INDUSTRIES LIMITED**



New Zealand Freephone: 0800 947 5673, Fax: (03) 983 3896. Australian Freephone: 1800 121 535, Freefax: 1800 121 533

Email: [enquiry@skope.co.nz](mailto:enquiry@skope.co.nz) Website: [www.skope.co.nz](http://www.skope.co.nz)