

# specifications

## PG200HF

SKOPE Pegasus Horizontal 2/1  
INTEGRAL 1 Door Freezer (JK1301)

### CABINET DIMENSIONS

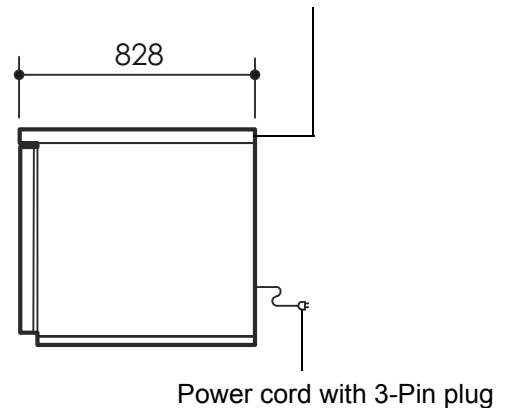
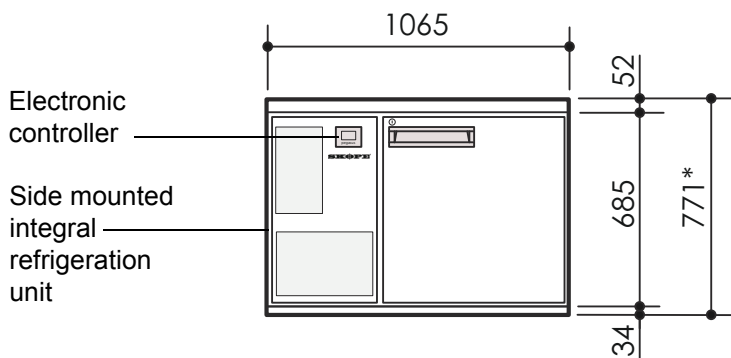
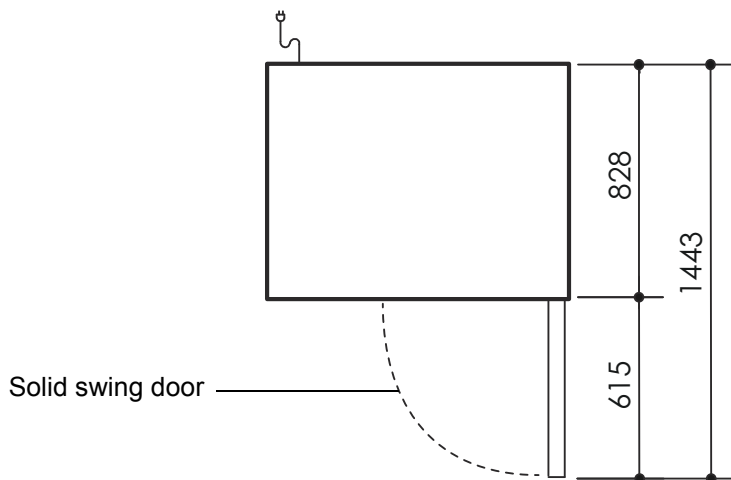
	External	Internal
<b>Height:</b>	771mm*	565mm
<b>Width:</b>	1065mm	565mm
<b>Depth:</b>	828mm	650mm
<b>Floor area:</b>	0.88m <sup>2</sup>	

\* Height includes plinth and worktop (excludes castors and adjustable legs).

**INDUSTRY  
KITCHENS**

[www.industrykitchens.com.au](http://www.industrykitchens.com.au) 1800 611 058

Pictured with optional 50mm  
stainless steel worktop



Copyright © 2012 SKOPE Industries Limited

### CABINET SPECIFICATIONS

<b>Refrigeration system:</b>	Electronic controlled, side mounted, integral refrigeration unit
<b>Refrigerant:</b>	R404A / 750g
<b>Nominal capacity:</b>	180 Watts @ -30°C SST
<b>Cabinet internal volume:</b>	210 litres
<b>Insulation:</b>	60mm thick, high density cyclo-isopentane polyurethane foam
<b>Cabinet temperature range:</b>	-18°C to -21°C up to 43°C ambient
<b>Drainage:</b>	No plumbing required
<b>Electrical:</b>	230-240 Volts a.c. 50 Hz, 3.00 Amps
<b>Internal lighting:</b>	n.a.
<b>Internal door opening size:</b>	1 door opening: 565mm high x 565mm wide
<b>Door:</b>	Solid stainless steel, self-closing door (with key lock) - RH hinged
<b>Worktop (optional):</b>	Optional 50mm square edged stainless steel worktop
<b>Shelves:</b>	Two levels of non-tip, adjustable tray slides and/or shelves per door
<b>Weight:</b>	132 kg

SKOPE Industries Limited reserve the right to alter specifications without notice.

PSS0295 Rev 2.1 Mar. 2013



**SKOPE INDUSTRIES LIMITED**



New Zealand Freephone: 0800 947 5673, Fax: (03) 983 3896. Australian Freephone: 1800 121 535, Freefax: 1800 121 533

Email: [enquiry@skope.co.nz](mailto:enquiry@skope.co.nz) Website: [www.skope.co.nz](http://www.skope.co.nz)