

specifications

PG200HC

SKOPE Pegasus Horizontal 2/1
INTEGRAL 1 Door Chiller (JK2301)

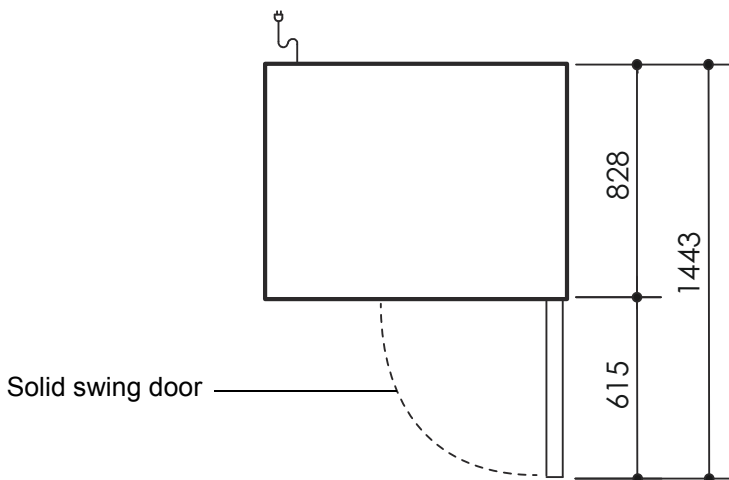
CABINET DIMENSIONS

| | External | Internal |
|--------------------|--------------------|----------|
| Height: | 771mm* | 565mm |
| Width: | 1065mm | 565mm |
| Depth: | 828mm | 650mm |
| Floor area: | 0.88m ² | |

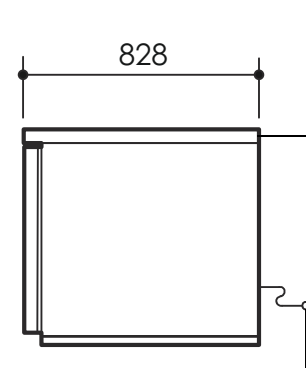
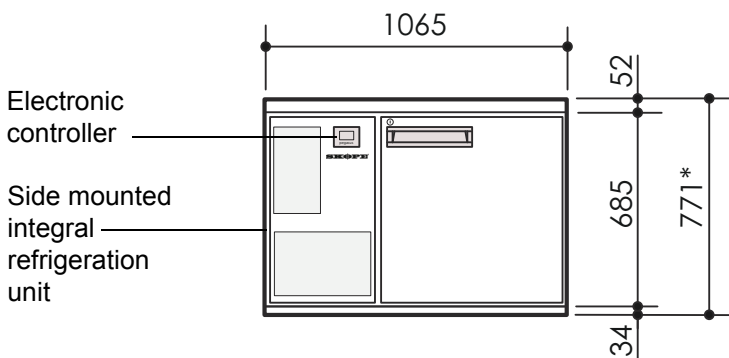
* Height includes plinth and worktop (excludes castors and adjustable legs).

**INDUSTRY
KITCHENS**

www.industrykitchens.com.au 1800 611 058



Pictured with optional 50mm stainless steel worktop



Power cord with 3-Pin plug

Copyright © 2012 SKOPE Industries Limited

CABINET SPECIFICATIONS

| | |
|------------------------------------|---|
| Refrigeration system: | Electronic controlled, side mounted, integral refrigeration unit |
| Refrigerant: | R134a / 450g |
| Nominal capacity: | 447 Watts @ -10°C SST |
| Cabinet internal volume: | 210 litres |
| Insulation: | 60mm thick, high density cyclo-isopentane polyurethane foam |
| Cabinet temperature range: | +1°C to +4°C up to 43°C ambient |
| Drainage: | No plumbing required |
| Electrical: | 230-240 Volts a.c. 50 Hz, 2.54 Amps |
| Internal lighting: | n.a. |
| Internal door opening size: | 1 door opening: 565mm high x 565mm wide |
| Door: | Solid stainless steel, self-closing door (with key lock) - RH hinged |
| Worktop (optional): | Optional 50mm square edged stainless steel worktop |
| Shelves: | Two levels of non-tip, adjustable tray slides and/or shelves per door |
| Weight: | 120 kg |

SKOPE Industries Limited reserve the right to alter specifications without notice.

PSS0195 Rev 2.1 Mar. 2013



SKOPE INDUSTRIES LIMITED



New Zealand Freephone: 0800 947 5673, Fax: (03) 983 3896. Australian Freephone: 1800 121 535, Freefax: 1800 121 533

Email: enquiry@skope.co.nz Website: www.skope.co.nz