



ERGO LINE (GN 1/1)

**Combo - Neutral - Heating Fan**

**INDUSTRY  
KITCHENS**

www.industrykitchens.com.au 1800 611 058



- ✓ **Combine Two Boxes in One**
- ✓ **Superb Insulation Values**
- ✓ **Outstanding Manouverability**

ScanBox Ergo Line - Combo - Neutral - Heating - Fan is a range of products suited perfectly for any commercial kitchen operation requiring hot and cold holding or transport capacity. Designed with two fully seperated box compartments stacked on eachother. Intuitive controls, ergonomic design and a wide range of different sizes and accessories will gurantee a perfect match with your operation. Designed with ScanBox latest Environmental Performance (ExP) technology combining increased performance with a decreased environmental impact. Designed to fit equally well back of house as well as front of house allowing exterior branding options.

**Function**

Two boxes in a stacked combination. One well insulated Neutral box and one fan heated system that provides exact and even heat distribution. Adjustable temperature setting and moisture ventilation gets you in control of food quality. Heat up time approximately 25 minutes. Neutral box can be equipped with cooling plates to prolong temperature retention.

**Standard Equipment Options**

- Backmounted Heating S/S Heater
- Adjustable Temperature
- Adjustable Moisture Vent
- European Plug Type
- International Plugs

**Capacity**

Equipped with detachable stainless steel racks allowing the air to circulate freely inside the cavity. The u-shaped racks has a tilt-stop function securing the foodcontainer and lid during loading, unloading and transport. Variety of sizes and rack configurations allowing optimal usage of the box.

**Standard Equipment Options**

- GN 1/1 80 mm distance
- Detachable Racks
- Tilt-Stop Function
- Optional level distance

**Mobility**

Lightweight, yet heavy duty. A solid design made for all types transports including truck. Equipped with non-marking, high quality double bearing castors for easy manouverability even in cramped spaces. Precision moulded PPE insulation assures food temperature and safety when the box is not plugged into power.

**Standard Equipment Options**

- Ø160 mm Castors
- Double Bearing Castors
- Transport Handles \*4
- Optional Sized Castors
- Stainless Steel Castors
- XC Castors
- Tow Bars

**Ease of Use**

Equipped with an intuitive and easy to use display conviniently positioned in front top of unit. All-around top frame allows easy handling facing the unit from any direction. The 4,5 meter long single phase spiral cord is positionned on the back of the unit.

**Standard Equipment Options**

- Excenter lock
- Extra Long Spiral Cord
- Digital Controller in Front
- Central brake system
- Sight window/Glass door
- One Grip Handle Tray holder foldable

**Construction**

A heavy duty yet lightweight construction based on a stainless steel framing, reinforced plastic exterior panels, solid high precision moulded polyrethane foam insulation and anonized aluminium interior. A smooth, hygienic and fully sealed inner cavity without welds or rivets. The frame, top hood and handles are in robust stainless steel.

**Standard Equipment Options**

- Smooth Hygienic Cavity
- Smooth S/S Top
- S/S Framing

**Exterior Design**

Robust and elegant Scandinavian design made for both back of house as well as front of house operations. Possibility to choose different colours as well as adapting parts or the full box according to corporate branding. Use the design and let the box be a part of the full F&B experience.

**Standard Equipment Options**

- Black Glossy Finish
- Black (RAL 9005)
- Optional colors
- Signature concept

**Product Safety**

High quality product Made in Sweden with high level of engineering details to performance, safety and easy of use. Thorough quality and safety testing through external third party. CE marked with complimentary EMC, RoHS, REACH and electrical safety testing.





## Technical Specification

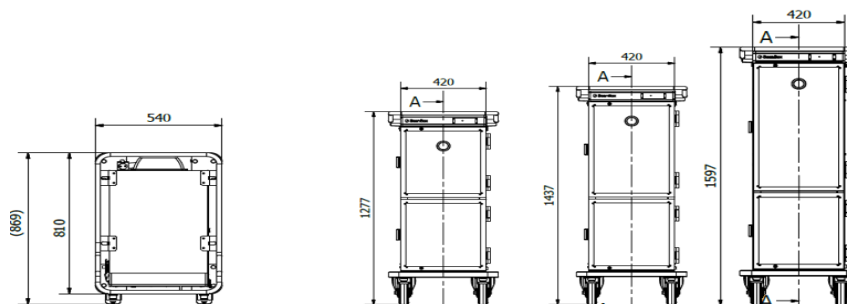
### Model Series



### ERGO LINE - Combo - Neutral - Heating Fan

Product Models	NE04 + HF04	NE04 + HF06	NE04 + HF08	NE06 + HF06
<b>Article Number</b>	ELCNF44	ELCNF46	ELCNF48	ELCNF66
<b>Active Heating</b>				
Controller	Digital adjustable	Digital adjustable	Digital adjustable	Digital adjustable
Heat Source	Electric Element	Electric Element	Electric Element	Electric Element
Temperature Range	Ambient up to 90°C	Ambient up to 90°C	Ambient up to 90°C	Ambient up to 90°C
Heating Time *1	20 min	30 min	20 min	30 min
Energy consumption to operating temp *2	0,15 kWh	0,20 kWh	0,25 kWh	0,20 kWh
<b>Capacity</b>				
Standard	GN 1/1	GN 1/1	GN 1/1	GN 1/1
Pitch between levels	80 mm	80 mm	80 mm	80 mm
Number of 65 mm containers	4 + 4	4 + 6	4 + 8	6 + 6
Number of 100 mm containers	2 + 2	2 + 4	2 + 5	4 + 4
Number of 150 mm containers	1 + 1	1 + 2	2 + 3	3 + 3
Maximum load per rack	9 kg	9 kg	9 kg	9 kg
Maximum load in unit	36 + 36 kg	36 + 54 kg	36 + 72 kg	54 + 54 kg
Max total weight (full unit)	125 kg	145 kg	165 kg	165 kg
<b>Physical Attributes</b>				
External dimensions (W x H x D) mm	540 x 1277 x 810	540 x 1437 x 810	540 x 1597 x 810	540 x 1597 x 810
Internal dimensions (W x H x D) mm	352 x 412 / 412 x 600	352 x 412 / 572 x 600	352 x 412 / 732 x 600	352 x 572 / 572 x 600
Volume	87 + 87 Liter	87 + 121 Liter	87 + 154 Liter	121 + 121 Liter
Net weight (empty unit)	52 kg	56 kg	60 kg	60 kg
Door opening	270°	270°	270°	270°
Length of Powercable	4,5 m	4,5 m	4,5 m	4,5 m
<b>Electrical Attributes</b>				
Rated Voltage	220-240V / 1 phase	220-240V / 1 phase	220-240V / 1 phase	220-240V / 1 phase
Rated Frequency	50-60 Hz	50-60 Hz	50-60 Hz	50-60 Hz
Rated Current	1,82 A	1,82 A	3,19 A	1,82 A
Power rating	385 W	385 W	700 W	385 W
IP Code *3	44	44	44	44

### Dimension drawings



\*1 - Time for a hot unit to reach 80 ° C and for a cold unit to reach 5 ° C average temperature in the air in the cavity with 22 ° C ambient temperature.

\*2 - Operating temperature in hot unit of 80 ° C and in cold unit of 5 ° C with 22 ° C ambient temperature.

\*3 - IP44 = Protection against penetration of solid objects larger than 1 mm and protected against splashing water from all angles (IEC 60529)

\*4 - Vertical Push / pull handles standard on ELCNF48 + ELCNF66