

Ice Cube Storage Bin

INDUSTRY KITCHENS

www.industrykitchens.com.au 1800 611 058

SKOPE ID: SILO S350-IQ

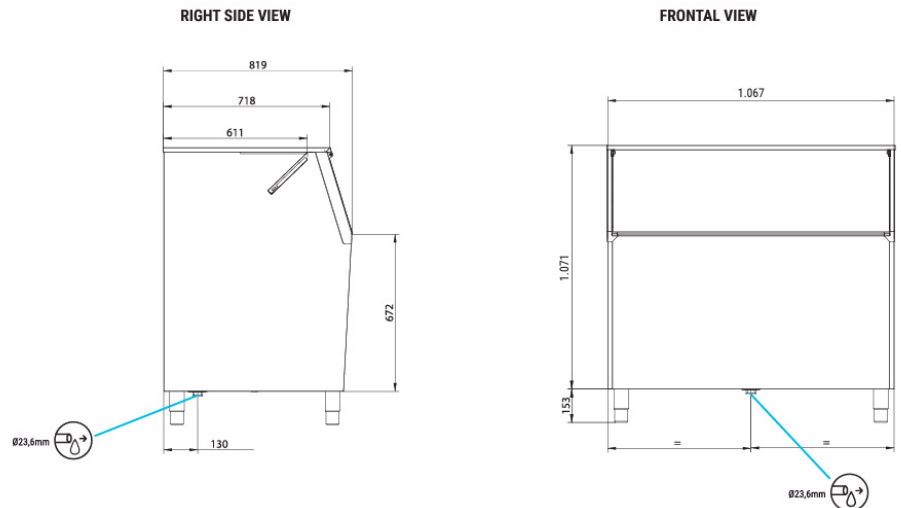
Machine Dimensions: 1067W x 819 D x 1071 (1224 with legs) H (mm)

Packed Dimensions: 1150 W x 890 D x 1210 H (mm)

Weight: 69kg

Floor Area: 1.24m²

Storage Bin Capacity: 340kg



Description

Store and transport ice from ITV Ice Queen granular ice maker with the extra capacity of the SILO 350-IQ Ice Cube Storage Bin. Optimized just for the Ice Queen range, this bin is indispensable for scaled up ice production requirements, plus it also benefits service delivery by helping to avoid ice spills and speeding up the transfer of ice to drinks. Stores up to 340kg of ice. Easy to clean thanks to seamless one-piece vat design with rounded corners. Drainage system designed to collect and direct water to the drain keeping the bin clean and dry. Hard sanitary polyethylene one piece liner, resistant to blows and scratches. Use a stacking kit to double stack two modular heads in order to double production capabilities and achieve ultimate space utilisation. Filter systems need to be installed with the ice machine to protect the 2-year parts and Labour warranty. Best suited to: Restaurants / Cafes, Clubs / Pubs / Bars, Quick Service Restaurants, Convenience / Petrol / Supermarkets, Food Production, Hospitality / Venues, Accommodation, Schools, Medical / Aged Care, Bakery / Pastry.

Supplied Accessories



Drain Hose



Drainage Elbow



Large Scoop



Adjustable Height Legs



Warranty



Watermark

A Watermark approved* water filter, suitable for the water type at the place of installation must be used. SKOPE can provide a water filter that protects the Ice Maker, and ensures proper function and high quality ice production. Service or repair due to absence of a suitable water filter will not be covered by SKOPE warranty. Contact SKOPE for more information.

*Watermark approval is only applicable to Australian installations. Elsewhere, a suitable water filter must be used