

Project: _____ Item: _____



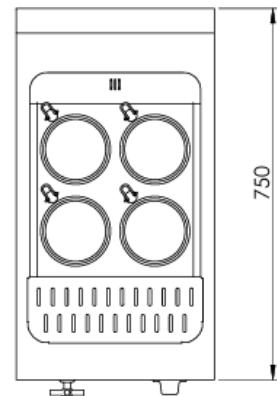
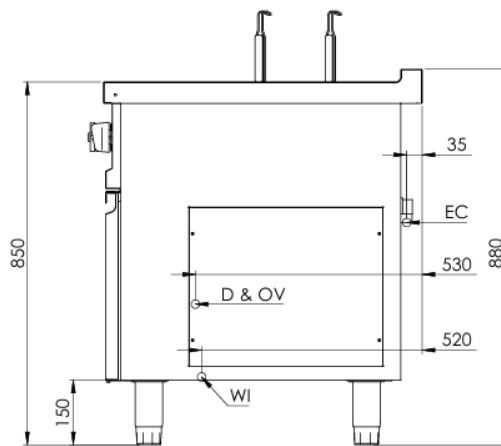
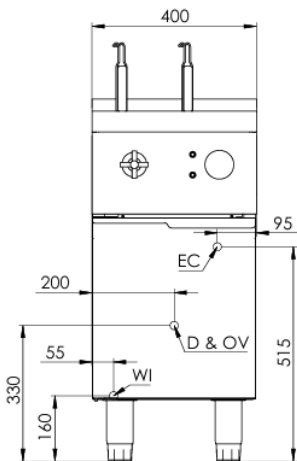
Standard Features:

- AISI grade stainless steel
- Heavy duty complete stainless steel cabinet frame
- Stainless steel constructed tank - 2mm Thick
- In-built water overflow helps remove water impurities
- Direct basket heating elements provide precise heat dispersion
- Built-in thermal insulation layer saves energy and improves efficiency
- Temperature range: 0°C - 100°C
- 25L water capacity
- Manually operated water spindle to control integrated tank faucet
- False base provides direct burst boiling to each individual basket
- Rotary control knob to adjust desired temperature setting
- Red and green operation indicators
- Noodle baskets provided
- Tank dimensions: 375mm D x 320mm W x 175mm H (Height is measured from the base to the top of the tank)

Options:

- SCCP - Colored Control Panel
- SCCS - Non-swivel rear castors - Set of two
- SCPK - Plinth Kit

Specifications:



| MODEL | LENGTH (mm) | DEPTH (mm) | HEIGHT (mm) | NET WEIGHT (kg) |
|------------|-------------|------------|-------------|-----------------|
| DLZMDN4-C6 | 400 | 750 | 880 | 50 |

Connections:

| ELECTRICAL CONNECTION (EC) | WATER (WI) (BSP) | TANK DRAIN (D) OVERFLOW (OV) | ELECTRICAL SUPPLY REQUIREMENTS | | | | |
|----------------------------|------------------|------------------------------|--------------------------------|------|----------------|------------|---------------------|
| | | | VOLTAGE (V) | TYPE | FREQUENCY (Hz) | POWER (kW) | L1, L2, L3 AMPS (A) |
| Hard Wired | ½" (M) | 1" (F) | 415 | 3P+E | 50/60 | 6 | 9 |

- **Must** be installed by an authorised installer in accordance to **AS/NZS 3000** refer to current version

Due to ongoing Product Development, Product Improvement and Research, B+S Commercial Kitchens reserves the right to alter specifications and the design of the product without notice.

Electromagnetic Compatibility: AS/NZS CISPR 14.1