

# RONDO

**MOFFAT**

**INDUSTRY  
KITCHENS**

[www.industrykitchens.com.au](http://www.industrykitchens.com.au) 1800 611 058

**SS0615**

**Ecomat Floor Model Sheeter**

### Product Features

- Floor mounted manual pastry sheeter
- Substructure painted steel
- Side push button control
- Pistol grip roller adjustment
- Fold up tables
- Roller gap 0.5 – 30mm
- Roller width 633mm
- Table width 620mm
- Conveyor belt width 605mm
- Overall conveyor length 2420mm
- Speed of discharge conveyor 50cm/sec
- Recommended dough block weight 6 – 8kg



SS0615

Rondo is highly regarded Swiss manufacturer of machines for the production of pastry and dough of all types. Rondo is the world leader in the sheeting and laminating technology and can provide the equipment you require, be it for a small Artisan baker or a high volume industrial production facility.

Rondo machines are the result of continuous work on addressing customer-specific needs over the course of 65 years. Rondo engineers, food technologists and master bakers all work together with a single aim - dough sheeters that lead the way in durability, efficiency and adaptability, with a range sized from a compact version to large high-performance machines capable of processing larger amounts of dough over multiple shifts.

## SSO615 Ecomat Floor Model Sheeter

### Model SSO615

#### Dimensions

Width	2900mm
Depth	1072mm
Height	1330mm

#### Dimensions (Folded)

Width	1240mm
Depth	1072mm
Height	1900mm

#### Electrical Requirements

400-415V, 3P+E, 50Hz, 1.0kW	
Nett Weight	160kg

[moffat.com.au](http://moffat.com.au)

#### Australia

[moffat.com.au](http://moffat.com.au)

#### Moffat Pty Limited

##### Victoria/Tasmania

740 Springvale Road  
Mulgrave, Victoria 3170  
Telephone +613-9518 3888  
Facsimile +613-9518 3833  
[vsales@moffat.com.au](mailto:vsales@moffat.com.au)

##### New South Wales

Telephone +612-8833 4111  
[nswsales@moffat.com.au](mailto:nswsales@moffat.com.au)

##### South Australia

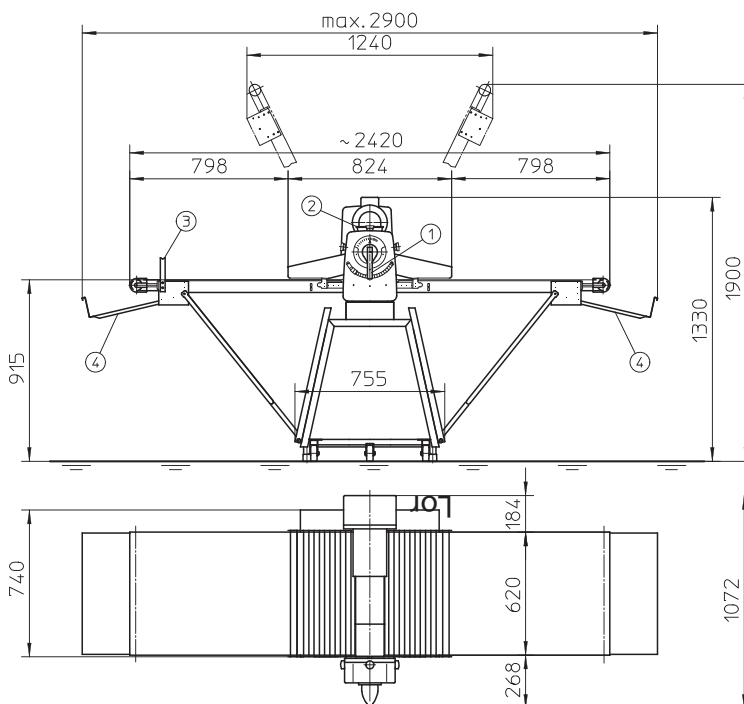
Telephone +613-9518 3888  
[vsales@moffat.com.au](mailto:vsales@moffat.com.au)

##### Queensland

Telephone +617-3630 8600  
[qldsales@moffat.com.au](mailto:qldsales@moffat.com.au)

##### Western Australia

Telephone +618-9413 2400  
[wasales@moffat.com.au](mailto:wasales@moffat.com.au)



In line with policy to continually develop and improve its products, Moffat Limited reserves the right to change specifications and design without notice. This specification sheet is meant for commercial purpose only. For technical documentation please refer to our service manuals.

© Copyright Moffat Ltd  
AN.R0121

an Ali Group Company



The Spirit of Excellence