

MANUFACTURER:	Roband Australia
CATEGORY:	Pie Warmers
MODEL / DESC:	PM Range
ORIGIN:	Australia
WARRANTY:	1 Year (refer to website)



Stainless Steel



ROBAND



Black Powder Coated

Pie Warmers

3 Sizes | Various Configurations | Modern Brushed Stainless Steel or Black Powder Coating

Stylishly designed, attractive and functional Pie Masters display food including pies, sausages and other pastry based hot foods at the desired serving temperature. Three sizes available with capacity for 25, 50 or 100 pies. They feature either a modern brushed stainless steel body or black powder coated body, with adjustable feet.

Racks can be installed horizontally or at an angle to enable contents to be displayed in the most appealing way.

"L" models feature an internal light to illuminate food, as well as a steam pan seated in the baffle tray to produce delicate steam to keep food moist.

"S" models have stainless steel doors and a stainless steel back panel.

FEATURES

- Stylish brushed stainless steel or black powder coated body
- Variety of sizes up to - 25, 50 and 100 pie capacity
- Adjustable feet
- Easily removable crumb tray
- Display racks in each unit can be positioned horizontally or at an angle enabling the best display of contents
- Stop rail on each shelf stopping food touching glass
- Sliding door variations (50 & 100 pie capacity models). Hinged glass door (25 pie capacity models)
- Stainless steel door & back variations for 50 & 100 pie capacity models.

Additional Features - Range with Lights

- Baffle tray with steam pan (1/9 gastronorm) in the base of the unit to provide moisture to contents
- Internal light to illuminate contents, which is easy to replace



PMB50L - black powder coated body, internal light



PM25L - stainless steel body, internal light



PM100S - stainless steel body, fixed panel back and doors

SPECIFICATIONS

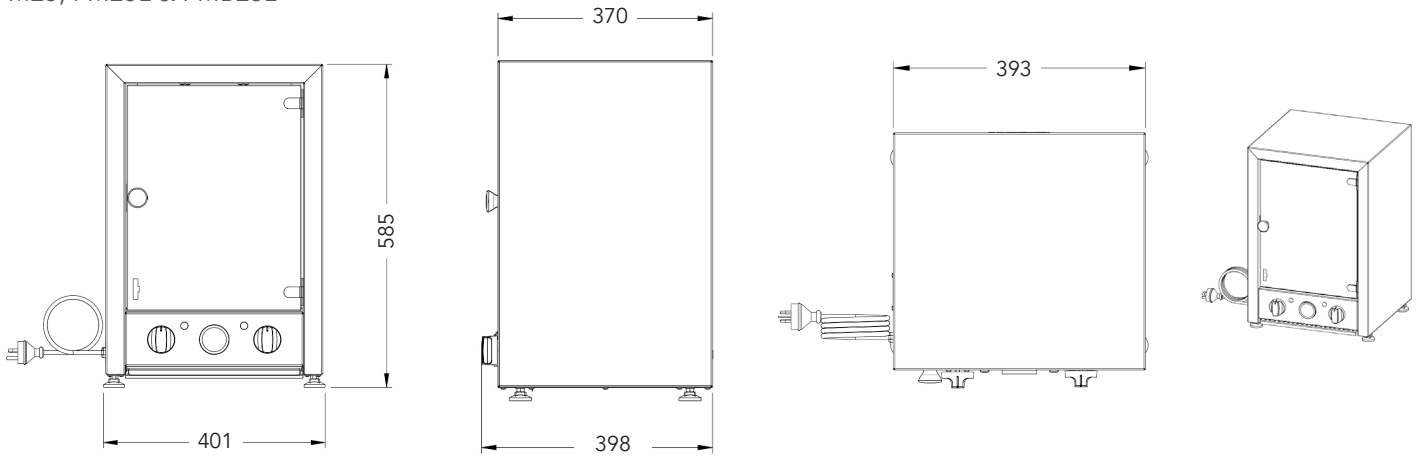
MODEL	PIE CAPACITY	BODY FINISH*	DOORS	INTERNAL LIGHT	POWER Watts	CURRENT Amps	DIMENSIONS w x d x h (mm)
PM25	25	Stainless	Hinged glass door	No	1100	4.8	401 x 398 x 585
PM25L	25	Stainless	Hinged glass door	Yes	1200	5.2	401 x 398 x 585
PM50	50	Stainless	Glass doors single side	No	1250	5.4	610 x 392 x 507
PM50G	50	Stainless	Glass doors both sides	No	1250	5.4	610 x 392 x 507
PM50L	50	Stainless	Glass doors single side	Yes	1350	5.9	610 x 392 x 507
PM50LG	50	Stainless	Glass doors both sides	Yes	1350	5.9	610 x 392 x 507
PM50S	50	Stainless	Stainless steel doors & back	No	1250	5.4	610 x 392 x 507
PM100	100	Stainless	Glass doors single side	No	1550	6.7	772 x 392 x 587
PM100G	100	Stainless	Glass doors both sides	No	1550	6.7	772 x 392 x 587
PM100L	100	Stainless	Glass doors single side	Yes	1650	7.2	772 x 392 x 587
PM100LG	100	Stainless	Glass doors both sides	Yes	1650	7.2	772 x 392 x 587
PM100S	100	Stainless	Stainless steel doors & back	No	1550	6.7	772 x 392 x 587
PMB25L	25	Black Powder	Hinged glass door	Yes	1200	5.2	401 x 398 x 585
PMB50L	50	Black Powder	Glass doors single side	Yes	1350	5.9	610 x 392 x 507
PMB100L	100	Black Powder	Glass doors single side	Yes	1650	7.2	772 x 392 x 587

* Pie Warmer body is either brushed stainless steel or black powder coated.

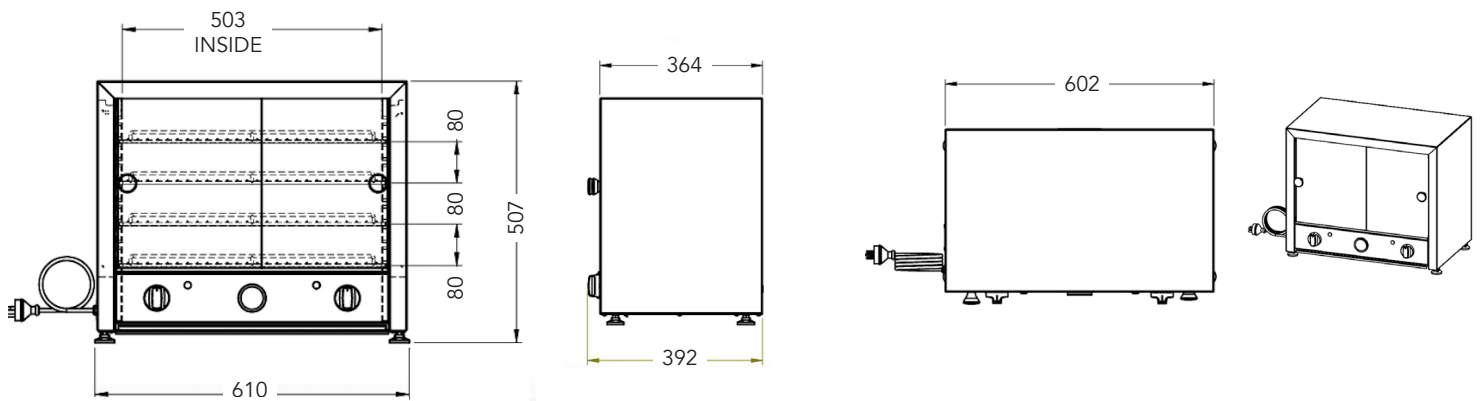
DIMENSIONS

All measurements are in millimetres ~

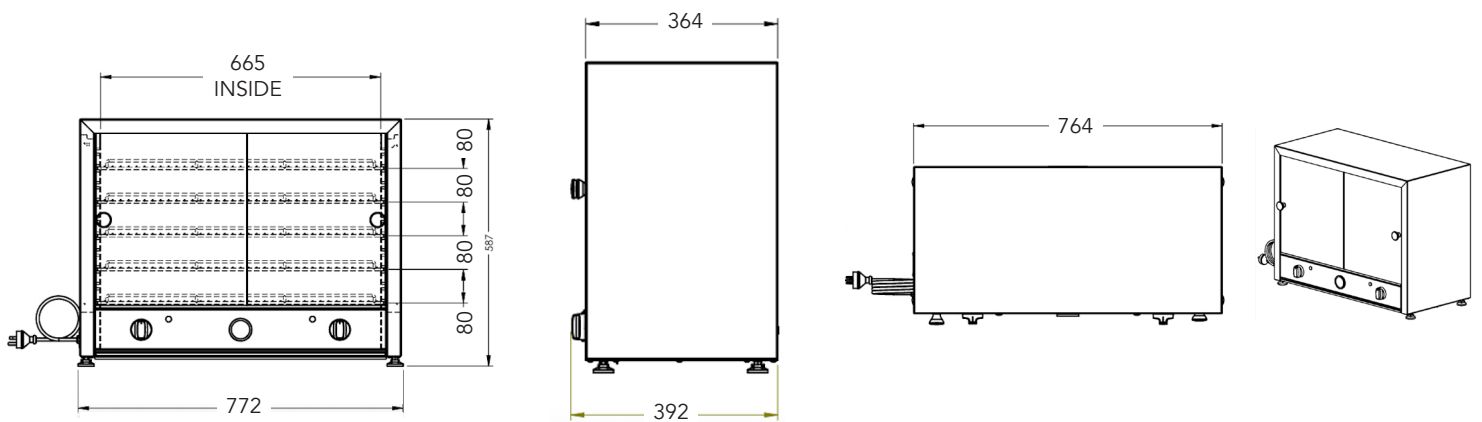
PM25, PM25L & PMB25L



PM50, PM50G, PM50L, PM50LG, PM50S & PMB50L



PM100, PM100G, PM100L, PM100LG, PM100S & PMB100L



~Line drawings not to scale

Page 2 of 2