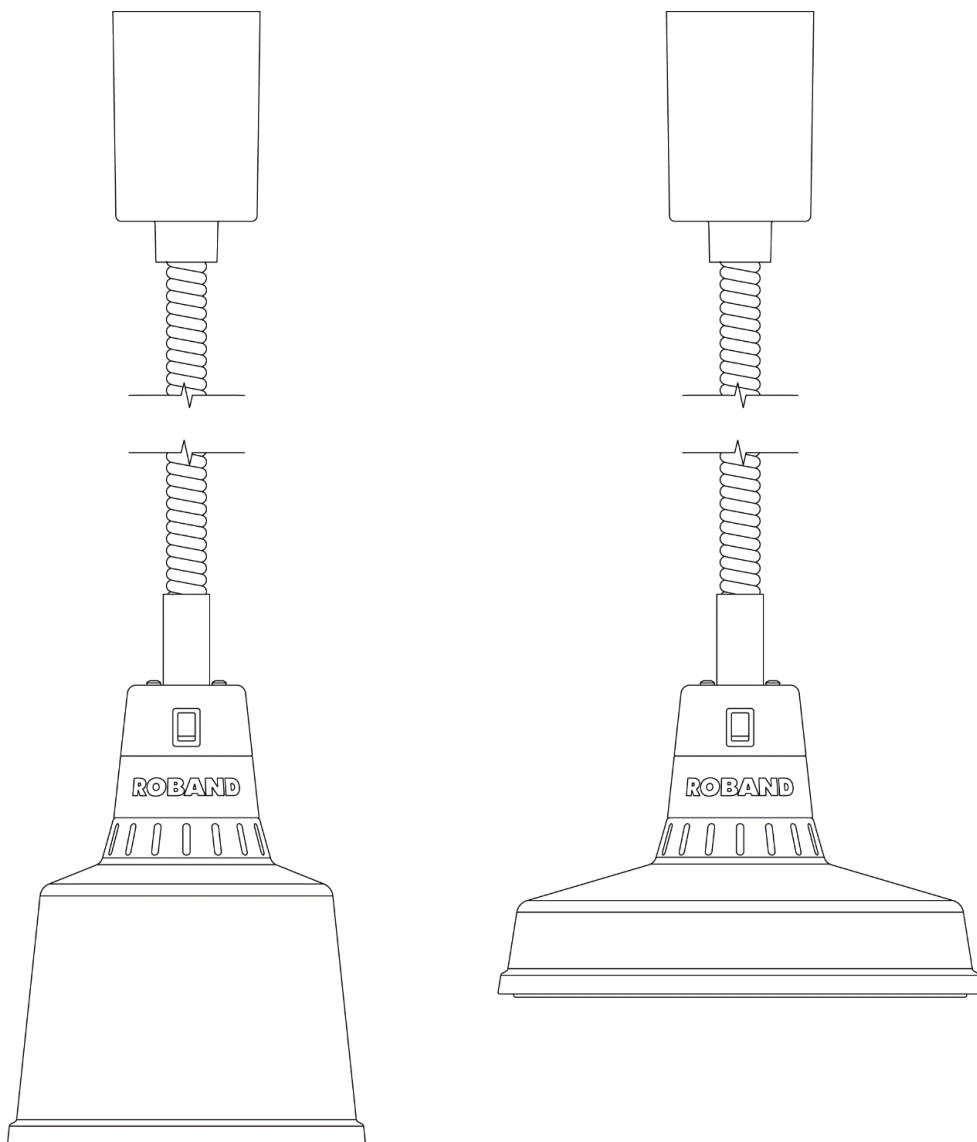


Instruction Manual

PENDANT HEAT LAMP



Models: PR20, PR30

Version 1

CONTENTS

Product Features	2
Specifications	2
Parts Included	2
Important Information	2
Safety Instructions	2
Cleaning & Maintenance	Error!
Bookmark not defined.	
General Dimensions	4 and 5
Installation	6
Globe Installation	7 and 8
Detailed Drawing	9
Trouble Shooting	9
Spare Parts	10
Circuit Diagram	10
Warranty	11

PRODUCT FEATURES

- Provides infrared heating
- Height adjustable retractor mechanism
- Mounting hook
- Unterminated retractable power cable

SPECIFICATIONS

Model	Lamps	Current Amps	Power Watts
PR20	1 x E27	1.2	275
PR30	1 x R7S	1.3	300

*Specifications subject to change

PARTS INCLUDED – PR SERIES

- One Retractable heat lamp (appropriate model)
- Mounting hook
- BR40 type Infrared heat lamp – PR20
- R7S type Infrared heat lamp – PR30
- Instruction Manual

Any damage to the machine as a result of freight must be reported to the Freight Company and to

the agent responsible for the despatch within 24 hours of receipt. No claims will be accepted after this period.

IMPORTANT INFORMATION

PR units are provided without a plug or terminal block. They are designed to be hard-wired in a suitable location. Installations must include accessible dual pole disconnection of mains supply.

The 70mm long Earth and 50mm Active and Neutral flying leads extending from the retractor mechanism are for connection by an authorized technician.

SAFETY INSTRUCTIONS

This appliance should only be connected to the mains electricity supply by a qualified electrician. Hard wire the heat lamp only into a suitable power supply with the correct voltage and sufficient power capacity. Refer to heat lamp rating label located in the ceiling rose for wattage and voltage requirements. Any metal mounting hooks must be earthed.

Read all Instructions and safety warnings prior to use. Keep user manual for future reference.

Service and repair should only be performed by qualified technicians who have read and understand this manual.

Personnel must be trained prior to operating this appliance.

This product is suitable for commercial use only.

This heat lamp should not be operated by persons (including children) with reduced physical, sensory or mental capabilities, or lack of experience or knowledge, unless they have been given supervision or instruction concerning the safe use of the appliance by a person responsible for their safety.

Keep out of reach from children.

Avoid contact with the exterior of this machine as surfaces can get hot.

Do not position appliances where hot surfaces may be accidentally touched.

The machine should be disconnected from all power and allowed to cool before cleaning or servicing.

Regularly inspect the supply cord and discontinue use immediately if damage is found. Return to manufacturer or authorised repairer for repair prior to use.

This machine contains no user-serviceable parts. Roband Australia, one of our agents, or a similarly qualified person(s) should carry out repairs.

Keep cord away from heated surfaces.

Do not remove cover panels from the machine.

Roband will accept no liability if:

- Non-authorised personnel have tampered with the machine.
- The instructions in this manual have not been followed.
- Non-original spare parts are used.
- There is any damage to the unit.

CLEANING & MAINTENANCE

CAUTION: Disconnect from power and allow to cool before cleaning.

CAUTION: Steel cutting processes used in the construction of this heat lamp can result in sharp edges. Avoid contact with sharp edges during cleaning and maintenance.

Do not clean with the use of a water jet or immerse in water.

Do not use caustic or abrasive cleaning products as they will damage the heat lamp.

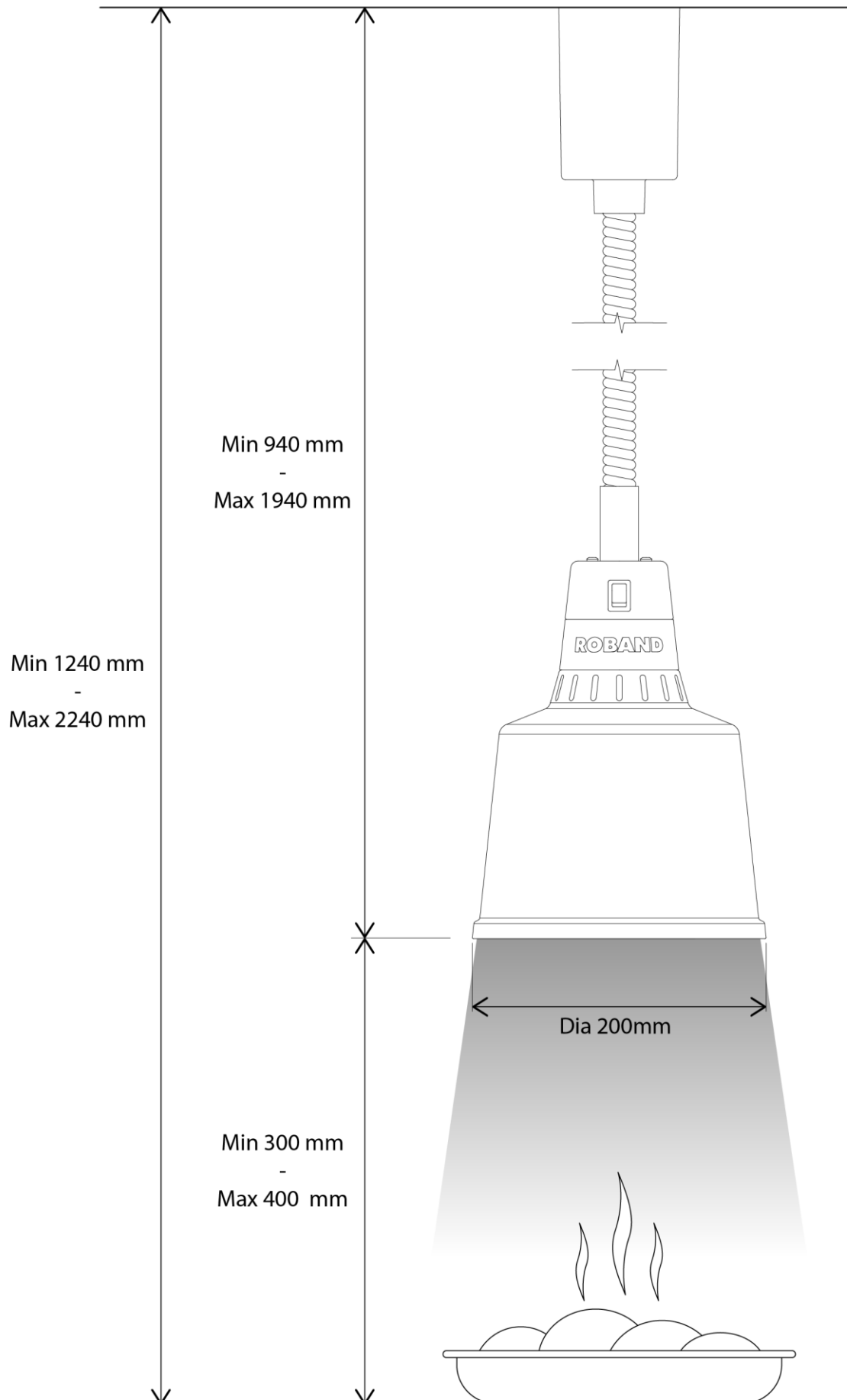
Wipe all surfaces of the machine with warm soapy water using a damp non-abrasive cloth.

Do not let any moisture enter inside the heat lamp or near the halogen lamps

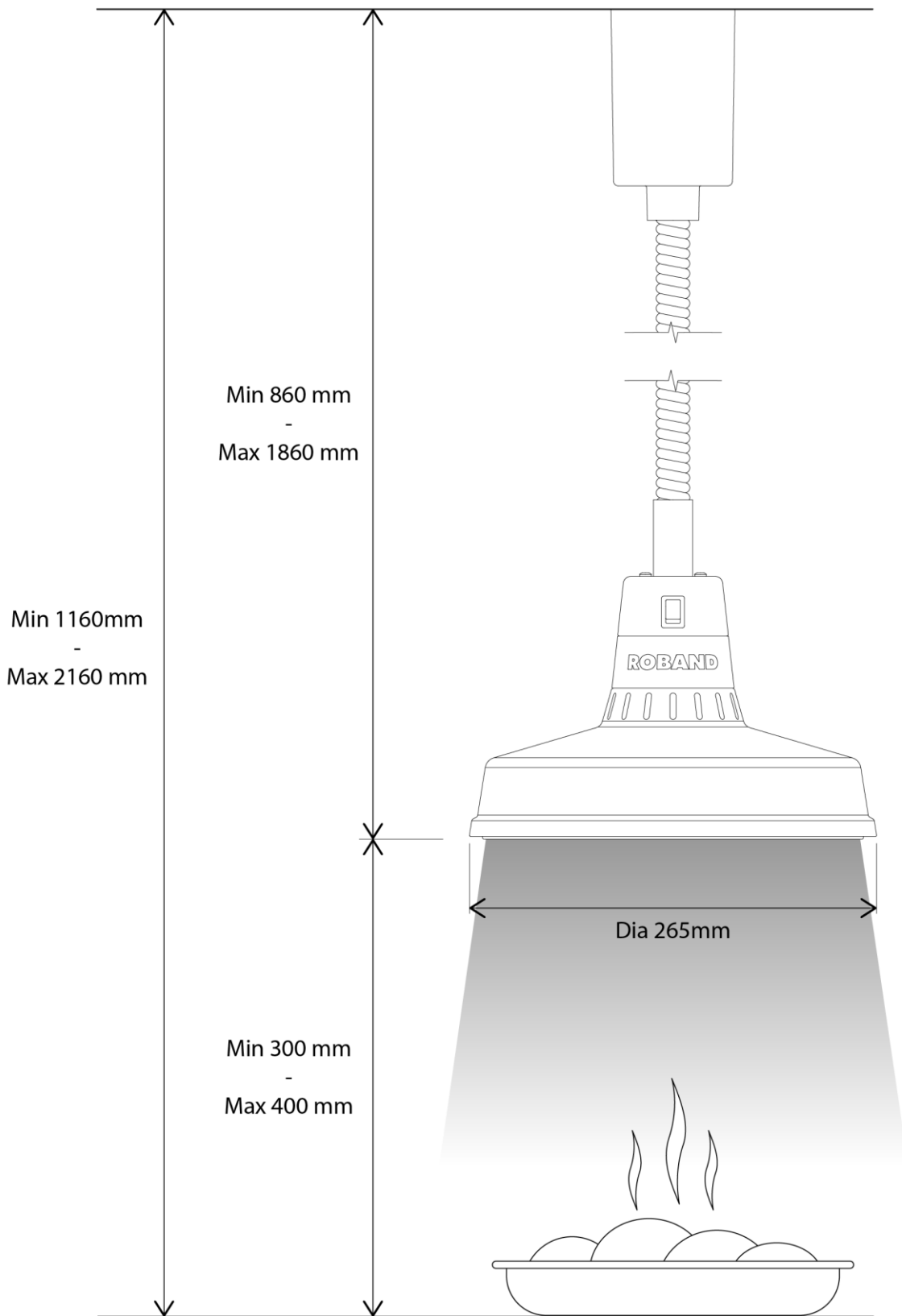
Do not use caustic or abrasive cleaning products as they will damage the heat lamp.

Regular cleaning will prevent a build-up of dust and keep the heat lamp looking new.

PR20 Heat lamp – General dimensions



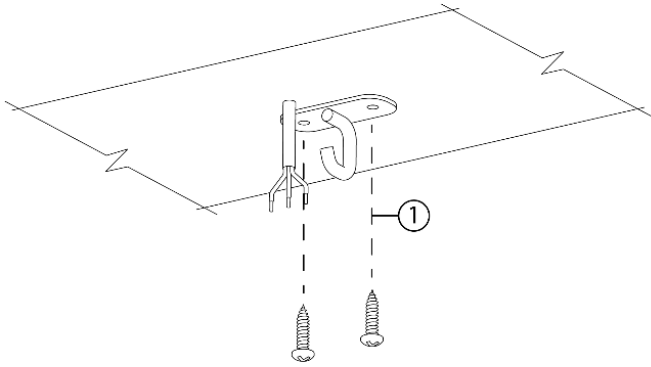
PR30 Heat Lamp – General dimensions



PR20 AND PR30 - INSTALLATION

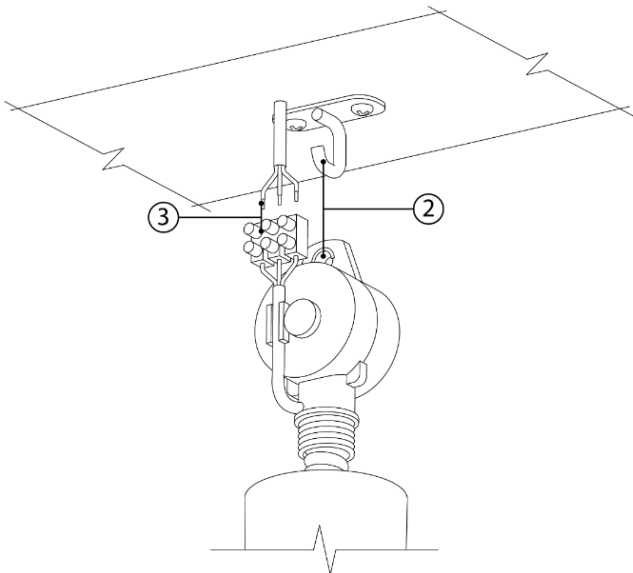
STEP 1:

Secure mounting hook with 10GA or equivalent screw (not supplied). Drill a dia 8 – 10 mm cable access hole next to hook and run unterminated cable through.



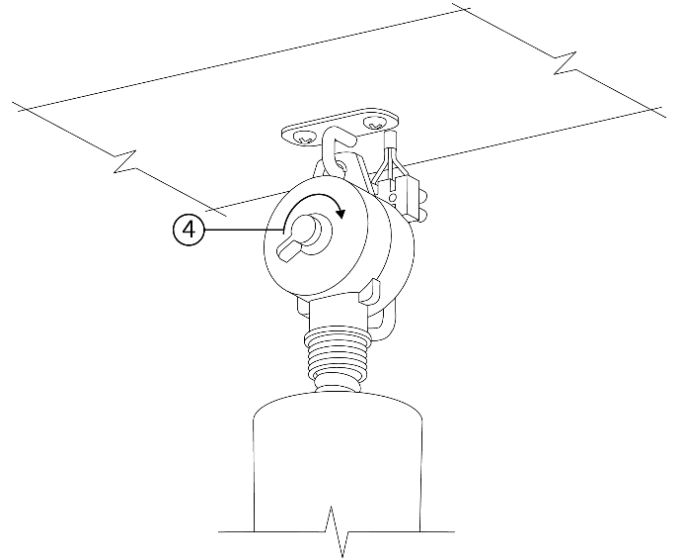
STEPS 2 and 3:

2 - Hang the retractor mechanism onto the ceiling hook.
3 - connect the ground, positive and neutral wires to the unterminated cable using a suitable terminal block (not supplied). Ensure a ground wire is also attached to the mounting hook.



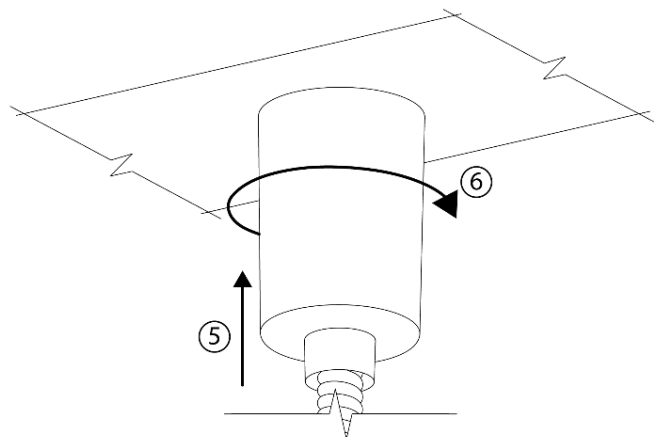
STEP 4:

Test the rise and fall of the heat lamp assembly. If too light or sagging down, adjust the tensioner lever as required.



STEPS 5 and 6:

Slide the ceiling shroud upward until the threaded section is engaged. Rotate the shroud clockwise to secure it to the retractor mechanism ensuring a snug fit up to ceiling.



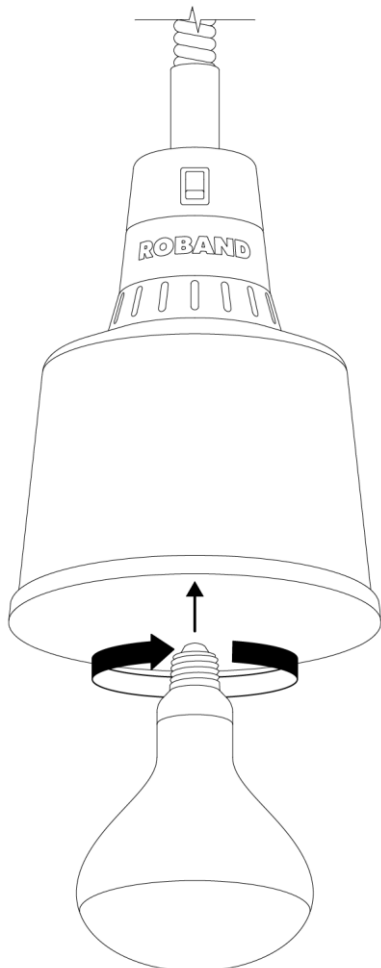
PR20 – BR40 TYPE GLOBE INSTALLATION/REPLACEMENT

WARNING:

DO NOT TOUCH GLOBE UNTIL THE UNIT HAS BEEN TURNED OFF, UNPLUGGED AND ALLOWED TO COOL FOR 30 MINUTES.



- 1: Ensure main power switch is OFF
- 2: Ensure globe is cool to touch. Hold body of globe and rotate counterclockwise until released from screw fitting.
3. Insert the new globe into the screw fitting, rotate clockwise to secure the globe. Do not over tighten.



PR30 - GLOBE

INSTALLATION/REPLACEMENT

WARNING:

DO NOT TOUCH GLOBE UNTIL THE UNIT HAS BEEN TURNED OFF, UNPLUGGED AND ALLOWED TO COOL FOR 30 MINUTES.

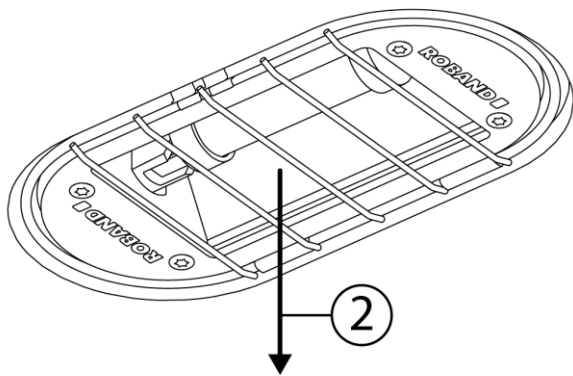
DO NOT TOUCH THE GLASS.

HANDLE THE GLOBE BY THE CERAMIC ENDS.

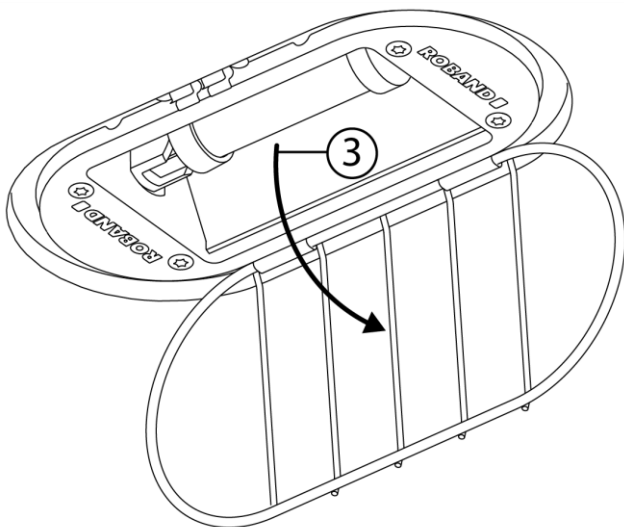


1: Ensure main power switch is OFF

2: Pull down the grill fin in the centre.

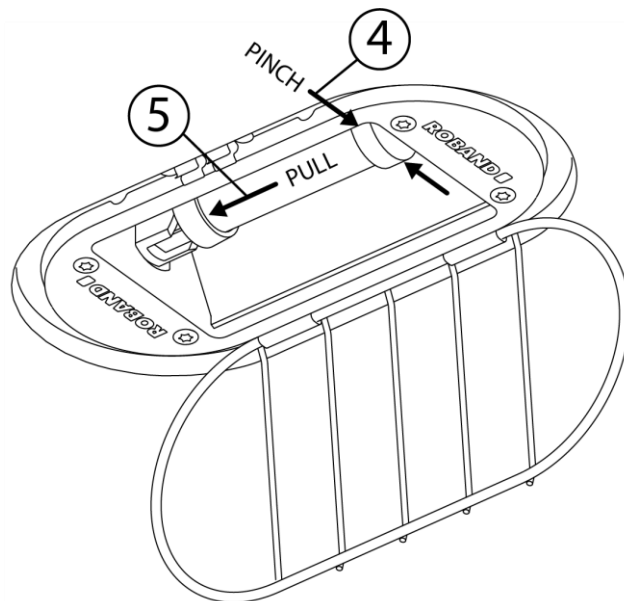


3: Open the grill by rotating downward.

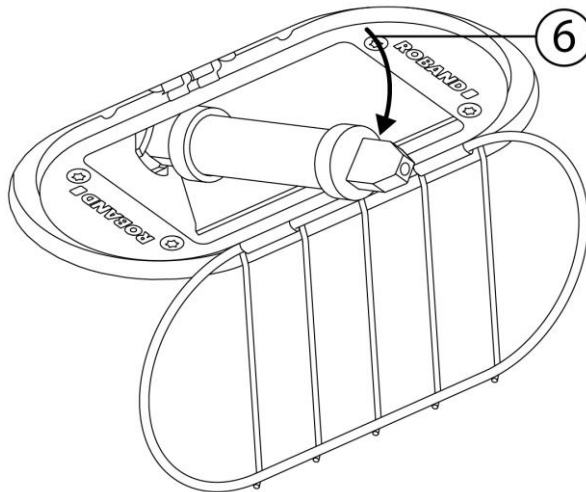


4: Grip the globe by the white ceramic end caps.

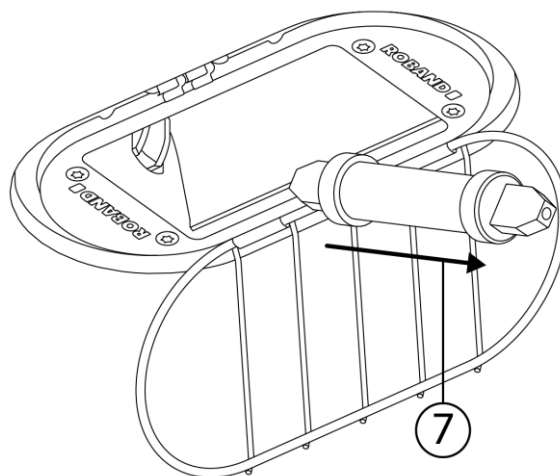
5: Pull the globe (quite forcefully) in direction shown.



6: Rotate the globe out of the globe holder.

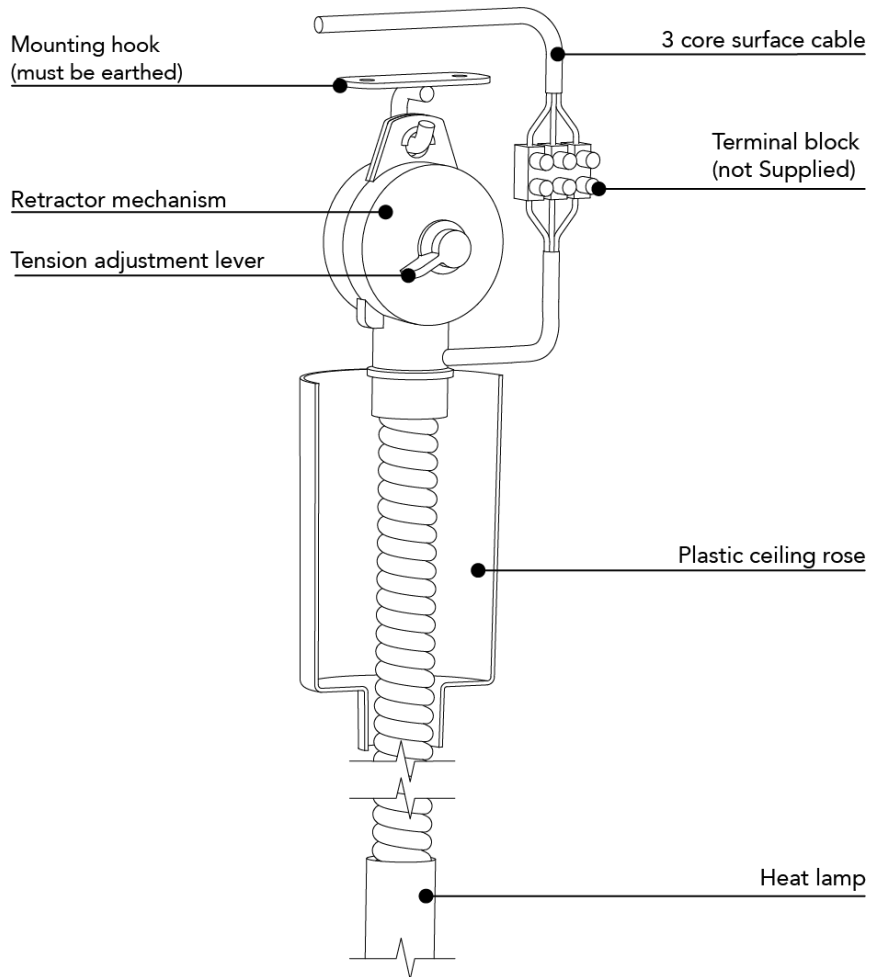


7: Pull globe out of the other globe holder.



8: Reverse procedure for installation of new globe.

DETAILED DRAWING – RETRACTOR MODELS PR20, PR30



TROUBLESHOOTING

If the unit does not function check the following points before calling for service.

- ✓ The heat lamp is wired in correctly and the power switched on.
- ✓ The on/off switch is in the ON position.
- ✓ The globes are installed correctly or have not failed.
- ✓ If appliance is tripping circuit protection device, this may be caused by:
 1. Too many machines on the same circuit. Relocate appliance to another circuit; or
 2. Faulty appliance.

SPARE PARTS

Parts for PR20

EC0856 - E27 – BR40 type infrared heat lamp

Parts for PR30

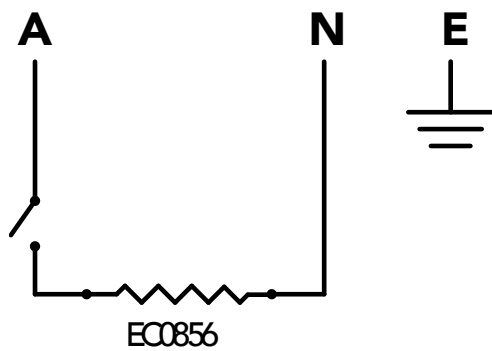
EC0890 - R7S infrared heat lamp

Common

MC2216 - Mounting hook

CIRCUIT DIAGRAM

PR20 SERIES



PR30 SERIES



Warranty

The warranty conditions set out below are in addition to any warranties implied or governed by law.

Roband Australia warrants that this appliance shall be delivered free from defects in material and workmanship. The warranty for this product is offered to the original purchaser, to be free of fault in both workmanship and materials for a period of 12 months from date of purchase. Roband's obligations pursuant to this warranty are limited to the repair or replacement of the defective goods or materials, at its discretion and subject to the terms contained within this Warranty statement.

The following conditions apply:

The product must be installed, maintained and used under normal operating conditions within the scope of the operating instructions.

All warranty claims must be submitted to Roband or an authorised Roband dealer, and Roband authorisation must be granted prior to repairs being carried out. Proof of purchase is required for any repair authorisation.

Warranty is back to base, meaning delivery to and collection of your product to Roband or an authorized service agent is the responsibility of the purchaser.

Where a product cannot be returned back to base, on-site warranty can be arranged by prior agreement.

The following exclusions apply:

Claims or faults arising from misuse, neglect, transport damage or other mechanical damage, including but not limited to; doors, hinges and interlock switches etc., other than those arising from manufacture or material defects. Where relevant, glass, Teflon® and lamps are not included in this warranty and RCD tripping due to moisture absorption by Tubular Heating Elements is not a warranty fault.

Roband or any subsidiary company or Agent shall not be liable for loss of profit or damage to other equipment and property except where it is in breach of the guarantees provided in accordance with applicable legislation.

Roband reserves the right to reject a warranty claim if it is not satisfied with the circumstances under which the fault occurred or where a product has been altered from its original specification.

For on-site repairs outside of capital city metropolitan areas, travel costs, service callout fee and related labour costs etc. are the responsibility of the claimant.

Any costs incurred for false claims or faults due to incorrect usage etc. are the responsibility of the claimant.

Any attempt to repair the product by non-Roband approved service personnel or the use of non-genuine parts will void the warranty agreement.

Our goods come with guarantees that cannot be excluded under the Australian Consumer Law. You are entitled to a replacement or refund for a major failure and compensation for any other reasonably foreseeable loss or damage. You are also entitled to have the goods repaired or replaced if the goods fail to be of acceptable quality and the failure does not amount to a major failure.

For the name of your nearest Australian authorised service agent, please contact:

Roband Australia Pty Ltd

1 Inman Road,
Cromer, NSW, 2099, Australia
Warranty: 1800 268 848
Tel: +61 2 9971 1788
Email: sales@roband.com.au
Web: www.roband.com.au

For your nearest International distributor,
please visit:

<https://www.roband.com.au/global/>



© Copyright 2026 – Roband® Australia Pty Ltd

All rights reserved. No part of this work may be reproduced or copied in any form or by any means, electronic or mechanical, including photocopying or posting to a website, without the written permission of the publisher. The material contained within this document is intended entirely for instructional Purposes. Roband® Australia is a wholly Australian owned company and has been manufacturing quality commercial catering equipment for the food service industry for more than 60 years.