

MANUFACTURER:	Roband Australia
CATEGORY:	Counter Bain Maries
MODEL / DESC:	BM Range
ORIGIN:	Australia
WARRANTY:	1 Year (refer to website)



**ROBAND®**

## Counter Top Hot Bain Maries

### Holds Food at Serving Temperature | Various Configurations | Modern Brushed Stainless Steel

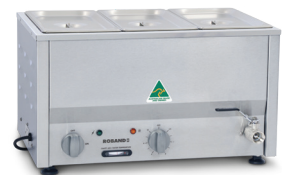
Convenient counter top bain marie, designed to hold hot food at serving temperature. With a comprehensive range of sizes and pan combinations, there is a counter top unit to suit every situation.

There are 4 configurations available. The options suit either a 1 x 1/2 size pan, 2 x 1/2 size pans sitting either side to side (wide) or front to back (narrow) and 4 x 1/2 size pan configuration. Each option can accommodate a variety of different sized pans as shown in the specifications table.

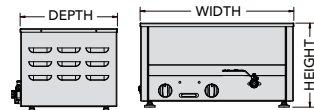
Heat control is either delivered by an energy regulator or thermostat. Thermostatically controlled machines end with the model suffix 'T'. Refer to Food Bar and Bain Marie Accessories Specification Sheet for optional accessories.

### FEATURES

- Stainless steel construction
- Dura-life stainless steel elements for prolonged element life
- Slimline thermometer
- Designed to take many combinations of gastronorm pans up to 150mm deep
- Removable cross bar on BM4 model range only
- 1, 2 or 4 pan models available. 2 pan configuration available in narrow or wide footprint
- Safety lock ball valve drain on BM2, BM21 and BM4 models
- Double skin tank



BM2B (wide footprint)



Dimensions in Specifications table relate to machine orientation depicted to right

### SPECIFICATIONS

MODEL	DESCRIPTION/ INCLUSIONS	ENERGY REG/ THERMOSTAT Control	OPERATION ^ Wet	Dry	POWER Watts	CURRENT Amps	DIMENSIONS * w x d x h (mm)
<b>1 x 1/2 SIZE PAN CONFIGURATION</b>							
BM1	Pan not included	Energy reg	Yes	No	670	2.9	355 x 305 x 320
BM1A	1 x 1/2 size 100 mm pan & lid	Energy reg	Yes	No	670	2.9	355 x 305 x 320
BM1B	1 x 1/2 size 150 mm pan & lid	Energy reg	Yes	No	670	2.9	355 x 305 x 320
BM1E	1 x 200 mm round (7.25 L) pot & lid	Energy reg	Yes	No	670	2.9	355 x 305 x 320
BM1T	Thermostat control, pan not included	Thermostat	Yes	No	670	2.9	355 x 305 x 320
<b>2 x 1/2 SIZE PANS CONFIGURATION - WIDE (2 Pans Wide x 1 Pan Deep)</b>							
BM2	Pans not included	Energy reg	Yes	Yes	1000	4.4	560 x 355 x 320
BM2A	2 x 1/2 size 100 mm pans & lids	Energy reg	Yes	Yes	1000	4.4	560 x 355 x 320
BM2B	3 x 1/3 size 100 mm pans & lids	Energy reg	Yes	Yes	1000	4.4	560 x 355 x 320
BM2C	3 x 1/3 size 150 mm pans & lids	Energy reg	Yes	Yes	1000	4.4	560 x 355 x 320
BM2E	2 x 200 mm round (7.25 L) pots & lids	Energy reg	Yes	Yes	1000	4.4	560 x 355 x 320
BM2T	Thermostat control, pans not included	Thermostat	Yes	Yes	1000	4.4	560 x 355 x 320
<b>2 x 1/2 SIZE PANS CONFIGURATION - NARROW (1 Pan Wide x 2 Pans Deep)</b>							
BM21	Pans not included, fits 2 x 1/2 size pans	Energy reg	Yes	Yes	1000	4.4	355 x 560 x 320
BM21T	BM21 with thermostat control 30 - 120 °C	Thermostat	Yes	No	1000	4.4	355 x 560 x 320
<b>4 x 1/2 SIZE PANS CONFIGURATION</b>							
BM4	Pans not included	Energy reg	Yes	Yes	1200	5.2	680 x 560 x 320
BM4A	4 x 1/2 size 100 mm pans & lids	Energy reg	Yes	Yes	1200	5.2	680 x 560 x 320
BM4B	6 x 1/3 size 100 mm pans & lids	Energy reg	Yes	Yes	1200	5.2	680 x 560 x 320
BM4C	6 x 1/3 size 150 mm pans & lids	Energy reg	Yes	Yes	1200	5.2	680 x 560 x 320
BM4E	4 x 200 mm round (7.25 L) pots & lids	Energy reg	Yes	Yes	1200	5.2	680 x 560 x 320
BM4T	Thermostat control, pans not included	Thermostat	Yes	Yes	1200	5.2	680 x 560 x 320

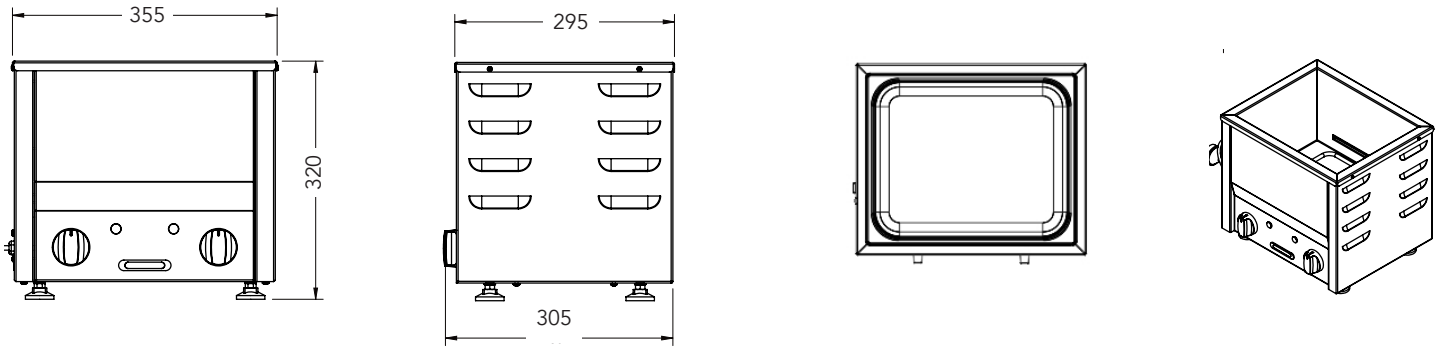
Note: Maximum pan depth 150 mm on all models.

^Machines should not be left unattended. \*Heights exclude pans, pots & lids and widths exclude electrical cord.

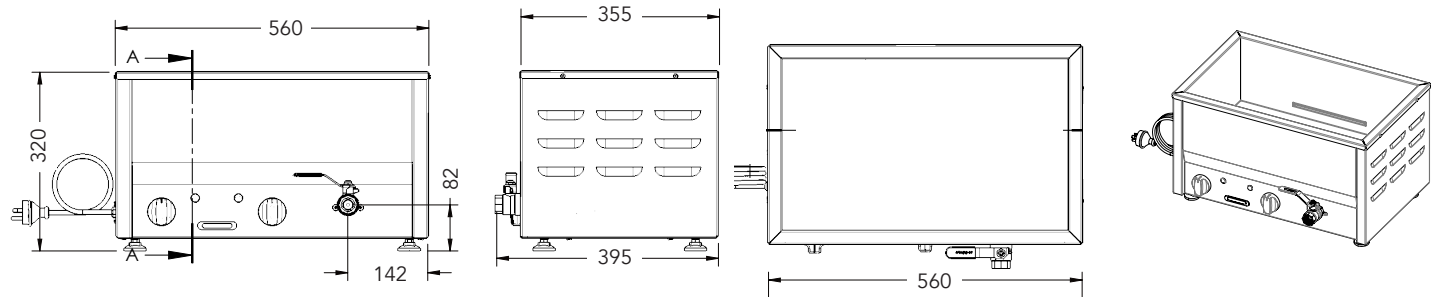
## DIMENSIONS

All measurements are in millimetres ~

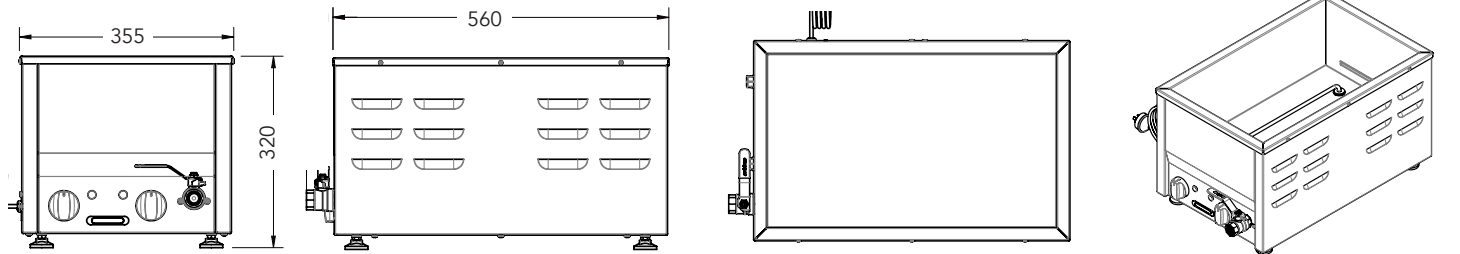
BM1 - One Pan



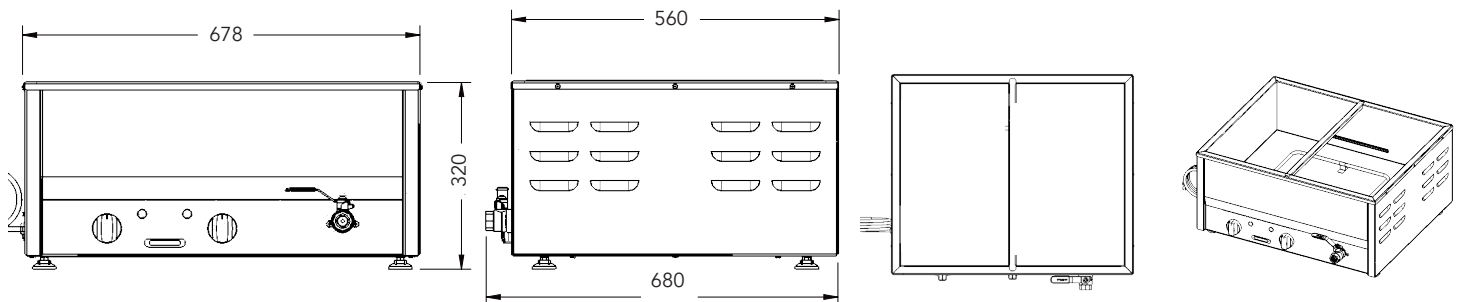
BM2 - Two Pan - Wide



BM21 - Two Pan - Narrow - with side positioned control and drain



BM4 - Four Pan



~Line drawings not to scale