

The Australian owned and designed\* Trueheat RC Series of Gas Cooking Equipment has been developed for the restaurant and cafe market with a high quality finish, designed to fulfill the busy demands within a commercial kitchen.

Powerful 24MJ/hr open burners with individual standing pilots included. 100% Flame failure controls included as standard. Matt finish Euro look cast iron trivets radiate heat and design makes it easy to move pots around the surface.

16mm thick steel griddle plate with 16.5MJ/hr burner per 300mm section.

Note: Griddle is convertible to left hand side. Additional charges apply.

**DIMENSIONS & WEIGHT**

External Dimension: 900W x 803D x 455H mm

Net Weight: 109kg

Working height : 910mm (+/-15mm with stand)

Combustible wall clearance: Side: 150mm, Rear: 150mm

**TECHNICAL DATA**

Gas Type: Natural or Propane

Total Output(MJ/hr):	Natural Gas	Propane Gas
	81	81

Burner Ratings (MJ/hr):	Natural Gas	Propane Gas	Ignition Type
Open Burner (MJ/hr):	24	24	Manual
Griddle per 300mm:	16.5	16.5	Piezo

Gas Connection: ¾" Female

AGA approval number: AGA 6652 G

**SHIPPING DATA**

Shipping Weight: 133kg

Shipping Dimensions: 980W x 900D x 600H mm

**OPTIONAL ACCESSORIES**

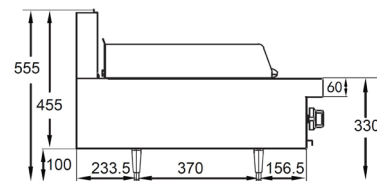
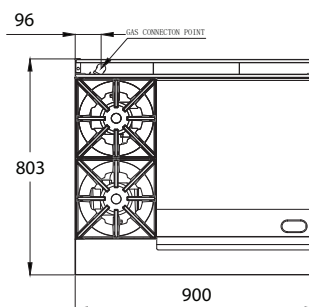
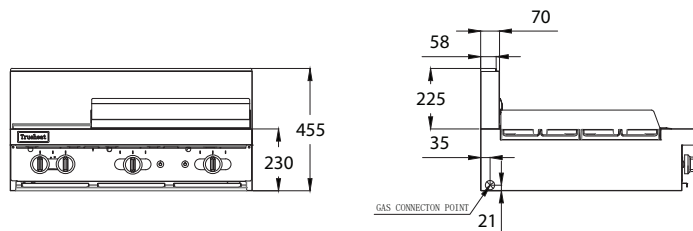
Part Number:	Description:
RCSTD9	900mm Stand complete with shelf
B05002	Adjustable leg for RCT countertop mounting
S35086	4 legs, 2 brackets, 6 screws (complete set for table top mounting)
MS-CSTRB	Castor with brake to suit both 600mm and 900mm
MS-CSTR	Castor without brake to suit both 600mm and 900mm
432018-900HK	900mm ¾ flexible gas hose with quick connect fittings and restraint
432018-1200HK	1200mm ¾ flexible gas hose with quick connect fittings and restraint

SPECIFICATIONS ARE SUBJECT TO CHANGE WITHOUT NOTICE.

Note: Stands fitted with castors will need to be cut down by 120-150mm.



Stand sold separately



\*manufactured in China

**INDUSTRY  
KITCHENS**

www.industrykitchens.com.au 1800 611 058



**National Head Office**  
156 Swann Drive  
Derrimut VIC 3026  
Tel: +61 3 8369 4600  
Fax: +61 3 8369 4699  
[www.comcater.com.au](http://www.comcater.com.au)

**Melbourne**  
96-100 Tope Street  
South Melbourne VIC 3205  
Tel: +61 3 8699 1200  
Fax: +61 3 8699 1299

**Sydney**  
20/4 Avenue of the Americas  
Newington, NSW 2127  
Tel: +61 2 8775 9500  
Fax: +61 2 9648 4762

**Brisbane**  
1/62 Borthwick Avenue  
Murarrie QLD 4172  
Tel: +61 7 3900 2700  
Fax: +61 7 3399 5311

**Perth**  
Unit 16, 7 Abrams Street  
Balcatta, WA 6021  
Tel: +61 8 6217 0700  
Fax: +61 8 6217 0799