

The Australian owned and designed* Trueheat RC Series of Gas Cooking Equipment has been developed for the restaurant and cafe market with a high quality finish, designed to fulfill the busy demands within a commercial kitchen.

Sturdy range matched infill benches with stand.

Note: Legs, feet and shelf can be removed to allow infill bench to be suspended between units on either side. (Hardware not included).

DIMENSIONS & WEIGHT

Working height: 910mm (+/-15mm with stand)

External Dimension: 300W x 803D x 1125H mm

Net Weight: 15kg

SHIPPING DATA

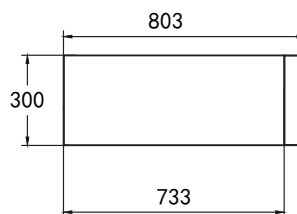
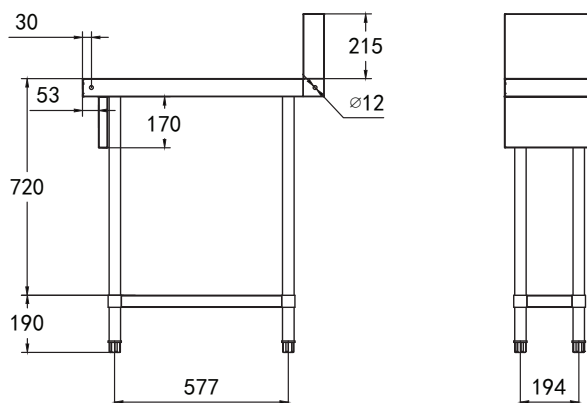
Shipping Dimensions: 395W x 935D x 310H mm

Shipping Weight: 17kg

SPECIFICATIONS ARE SUBJECT TO CHANGE WITHOUT NOTICE.



*manufactured in China



**INDUSTRY
KITCHENS**

www.industrykitchens.com.au 1800 611 058



National Head Office
156 Swann Drive
Derrimut VIC 3026
Tel: +61 3 8369 4600
Fax: +61 3 8369 4699

www.comcater.com.au

Melbourne
96-100 Tope Street
South Melbourne VIC 3205
Tel: +61 3 8699 1200
Fax: +61 3 8699 1299

Sydney
20/4 Avenue of the Americas
Newington, NSW 2127
Tel: +61 2 8775 9500
Fax: +61 2 9648 4762

Brisbane
1/62 Borthwick Avenue
Murarrie QLD 4172
Tel: +61 7 3900 2700
Fax: +61 7 3399 5311

Perth
Unit 16, 7 Abrams Street
Balcatta, WA 6021
Tel: +61 8 6217 0700
Fax: +61 8 6217 0799