

The Australian owned and designed\* Trueheat RC Series of Gas Cooking Equipment has been developed for the restaurant and cafe market with a high quality finish, designed to fulfill the busy demands within a commercial kitchen.

Powerful 24MJ/hr open burners with individual standing pilots included. 100% Flame failure controls included as standard. Matt finish premium look cast iron trivets radiant heat and design makes it easy to move pots around the surface.

Static oven with two oven racks fit to removable vertical rack guides which provide 3 rack heights. Oven racks are fabricated from 304 stainless steel. Interior oven panels are coated with black vitreous enamel for ease of cleaning.

**DIMENSIONS & WEIGHT**

External Dimension: 900W x 830D x 1135H mm

Net Weight: 177kg

Working height : 910mm

Oven Interior : 660W x 540D x 320H mm

Combustible wall clearance: Side: 150mm, Rear: 150mm

**TECHNICAL DATA**

Gas Type: Natural or Propane

Total Output(MJ/hr):	Natural Gas	Propane Gas
	180	177

Burner Ratings (MJ/hr):	Natural Gas	Propane Gas	Ignition Type
Open Burner (MJ/hr):	24	24	Manual
Oven (MJ/hr):	36	33	Piezo

Gas Connection: ¾" Female

AGA approval number: AGA 6652 G

**SHIPPING DATA**

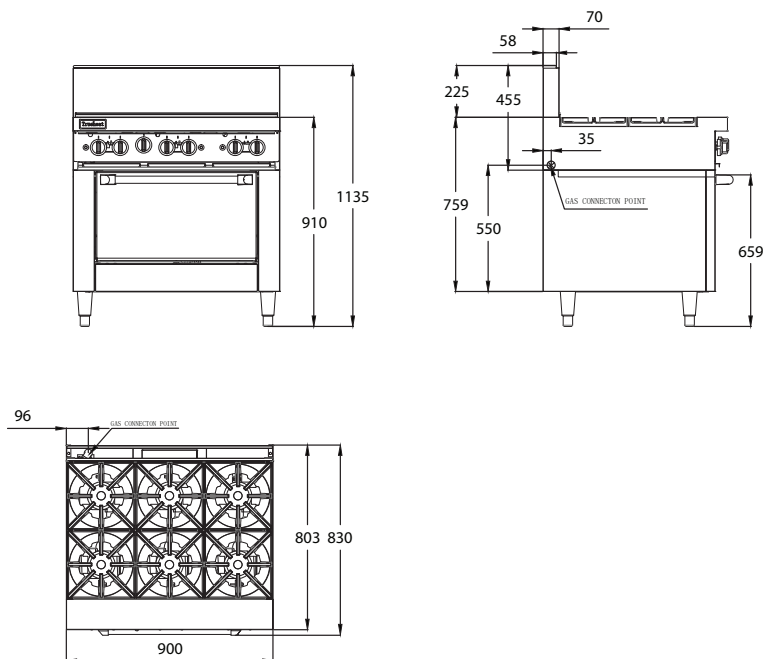
Shipping Weight: 205kg

Shipping Dimensions: 980W x 900D x 1210H mm

**OPTIONAL ACCESSORIES**

Part Number:	Description:
GF-CSTRB	Front Castor Swivel with brake suits RCR models only
GF-CSTR	Rear Castor without brake suits RCR models only
432018-900HK	900mm ¾ flexible gas hose with quick connect fittings and restraint
432018-1200HK	1200mm ¾ flexible gas hose with quick connect fittings and restraint

SPECIFICATIONS ARE SUBJECT TO CHANGE WITHOUT NOTICE.



\*manufactured in China

**INDUSTRY KITCHENS**

www.industrykitchens.com.au 1800 611 058



**National Head Office**  
156 Swann Drive  
Derrimut VIC 3026  
Tel: +61 3 8369 4600  
Fax: +61 3 8369 4699  
www.comcater.com.au

**Melbourne**  
96-100 Tope Street  
South Melbourne VIC 3205  
Tel: +61 3 8699 1200  
Fax: +61 3 8699 1299

**Sydney**  
20/4 Avenue of the Americas  
Newington, NSW 2127  
Tel: +61 2 8775 9500  
Fax: +61 2 9648 4762

**Brisbane**  
1/62 Borthwick Avenue  
Murarrie QLD 4172  
Tel: +61 7 3900 2700  
Fax: +61 7 3399 5311

**Perth**  
Unit 16, 7 Abrams Street  
Balcatta, WA 6021  
Tel: +61 8 6217 0700  
Fax: +61 8 6217 0799