



INDUSTRY KITCHENS

www.industrykitchens.com.au 1800 611 058

Citrus Saber

Product # CW Series

The Prince Castle CW-Series Citrus Saber® is an economical solution to wedging, perfectly sectioning fruits and vegetables, including lemons, limes and tomatoes into perfect portions. The Citrus Saber® is the ideal choice for drinks, salads and garnishes. The Citrus Saber® is perfect for operations with minimal counter space due to its compact size.

The Citrus Saber® is constructed of high-impact plastic, making it extremely durable. It is easy to clean and use, and includes an 8 section wedger. Available in both yellow and black.

Product Features

- Produces uniform and attractive wedges.
- Easy to use.
- Stainless steel blades recessed deep into handle, ensuring safer operation.
- Simple to clean – just rinse.
- Constructed of high impact, durable plastic.

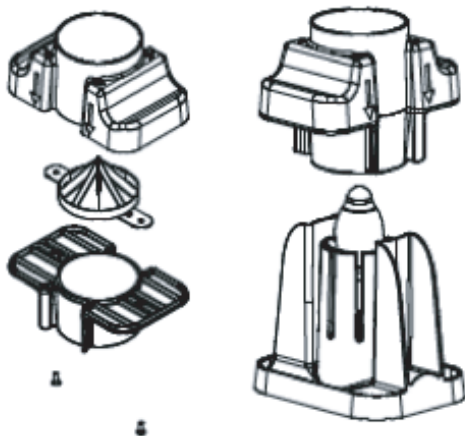
Dimensions

Model Number	Width in (cm)	Length in (cm)	Height in (cm)	Shipping Weight lbs (kg)
CW-Series	8.00 (20.30)	7.03 (17.80)	8.03 (20.40)	3.00 (1.36)

Ordering Information

Model Number	Description
CW-6	Yellow Citrus Saber (8 section wedger)

Specifications



Certifications

